

生物制药隔膜阀
Biopharmaceutical diaphragm valve

0.2



国家高新技术企业 浙江省著名商标
www.cndonjoy.com

 **DONJOY** 东正

东正一直致力于重大技术进步，是您值得信赖的事业伙伴！
Donjoy committing to major technological advances, is your reliable business partner!

0.1	自控调节阀+控制器 Automatic control regulating valve +Control head
0.2	生物制药隔膜阀 Biopharmaceutical diaphragm valve
0.3	高洁净泵 High purity pumps
0.4	防混蝶阀+蝶阀 Mixing proof butterfly valve +Butterfly valve
0.5	球阀 Ball valve
0.6	截止换向阀+防混阀+罐底阀 Divert seat valve + Mixing proof valve +Tank bottom valve
0.7	角座阀+截止阀 Angle seat valve+Globe valve
0.8	止回阀+恒压阀+安全阀+减压阀 Check valve + constant pressure valve+safety valve +air release valve
0.9	清洁技术+取样阀+视镜+照明技术 Clean technology + sample valve + sight glass +lighting technology
0.10	过滤器+人孔 Filter + man hole cover(manway)
0.11	卫生管件 Sanitary fittings ASME BPE DIN11852 B44825 SMS ISO IDF 3A



注意：
目录技术资料仅供设计参考，
设计更新和技术升级恕不另行通知！

不断革新的技术、日新月异的市场发展和客户需求是当今我们面临的巨大挑战。面对这些挑战我们信心十足，因为东正高度专业化的产品和技术创新，是我们未来将以更高、更优的产品来满足不断增长的市场需求。

Technological innovation, rapid development of the market and customer needs are the greatest challenges facing us today. Facing with these challenges we are confident, because of highly professional products and technological innovation, we will meet the growing demand of market and customer with our better and better products.

法律声明：
目录样册版本属东正所有，如有抄袭东正将追究其法律责任和经济赔偿。
东正众多技术设计，都具有专利保护，如有抄袭，东正必将追究法律责任和经济赔偿。

领先源于创新 创新源于专业

东正的专业与品质的邂逅源于创新的精神



现代化工厂已经投产，期待您的光临！
温州空港经济园区生产基地
Wenzhou airport economic zone production base

占地面积29000m²，总投资1.2亿元，新引进ABB工业机器人、日本马扎克5轴加工中心、ABB机器人抛光设备。

Covering an area of 29000 m², with total investment after construction is expected to 120 million yuan, introduces new ABB industrial robot, Japan mazar-e-sharif grams of five axis machining center, ABB machine Polishing equipment.

东正创立于1993年，注册资金5508万，是一家专注于研发高品质PID过程控制器、阀门定位器、流量控制器，阀门控制单元，高洁净过程控制阀、智能自控阀，高洁净泵、高洁净管材和管道配件。公司高度专业化的产品和技术专注于生物制药、食品饮料、酿酒、精细化工等工业领域。东正众多的创新解决方案，对满足全球，尤其是新兴市场不断增长生物制药和食品饮料行业的需求起到了积极作用。

东正制造的产品母材料、加工技术、焊接技术、表面处理等技术指标均已达到国内外先进水平。且符合ASME BPE、EHEDG、FDA、3A等一系列国际标准和规范要求，先后通过了由德国TÜV机构实施的欧盟承压设备指令(PED-97/23/EC)和(MD-06/42/EC)认证、美国3A机构实施的3-A卫生标准认证、中国安全阀特种制造设备(TS)许可证和中国质量认证中心CQC ISO9001:2008质量管理体系认证等多项国际权威认证。

东正凭借先进的技术、优异的品质和完善的售后服务体系，先后被评定为国家高新技术企业，省著名商标、省科技型企业、创新型企业、专利示范企业、研发中心企业，守合同重信用AAA企业等众多荣誉。

关于东正 About DONJOY

Donjoy was built up in 1993, with registered capital RMB 55,08 millions. We focus on developing high quality PID process controller, the valve positioner, the flow controller, the valve control unit, high purity process control valve, intelligent self-control valve, high purity pump, high purity tubing fitting and pipeline accessories. Donjoy's products and technologies are widely used in biopharmaceutical, food, drink, wine fine chemicals and other industrial fields. Donjoy's innovation solutions meet the growing demand of the industry of biopharmaceutical, food and beverage from the whole world, especially the emerging market.

Raw material, processing technology, welding technology, surface treatment from Donjoy have achieved advanced levels of domestic and foreign market. Donjoy productions according to ASME BPE, EHEDG, FDA and 3A standard, get certificate of PED-97/23/EC and MD-06/42/EC issued by TUV, 3A issued by 3A organization, TS licence and ISO9001:2008.

Donjoy with advanced technology, excellent quality and perfect after-sales service system, has been assessed as the national high-tech enterprises, the Provincial Famous Trademark, the Provincial Science and Technology Enterprises, Innovative Enterprises, Patent Model Enterprises, R & D Center, AAA Credit Enterprises.



创立于2005年现代化工厂
温州滨海经济开发区生产基地
Wenzhou binhai economic development zone production base

DONJOY high-purity valve, pump, control system, pipe and accessories, provide the most excellent solution for various business scopes.



Biopharmaceutical



Dairy



Food



Beverage



Water Processing



Brewing



Fine Chemical

制造与检验 Manufacturing and testing



机器人生产线 Robot production line

全自动弯管设备 Automatic pipe bending equipment

DONJOY以科学技术是第一生产力，也是企业核心竞争力，只有不断投入核心技术研发和创新，不断追求卓越，精益求精、以先进生产设备，严格的质量管理体系，精密的生产检测流程，保证每一款产品优良的性能。

Science and technology constitute a primary productive force, also the core competitive strength of the enterprise. Continuously intensifying the research, development and innovation of core technology, pursuing prominence and keeping improving, ensuring the excellent quality and performance of every single product by advanced production equipment, strict quality control and precise production and inspection procedures.

荣誉与资质

Honor and qualification

	<p>3A</p> <p>东正是美国3A认证组织的金牌赞助商，3A是一个自愿组织，致力于维护公共卫生和奶制品产品质量通过独特的行业监管程序的设备，用于处理乳制品的卫生标准3A认证。 东正通过认证产品，阀门系列55-02-1783、64-00-1784、84-02-1786、85-03-1787、53-06-1782、54-02-1580、68-00-1785，管件(63-03)证书号(1581)等多种规格型号。</p>
	<p>PED/97/23/EC & MD/06/42EC</p> <p>东正通过了TUV 欧共体压力设备97/23/EC质量保证模式H&材料(管件)制造认证。 阀门证书 NO.CE 0036 泵类证书 NO.705201402401-00</p>
	<p>FDA177.2600</p> <p>东正生产的阀门和泵以及流体设备等，与物料接触密封圈全部通过或符合美国食品和药品管理局和联邦法规第21条即，CRF 21 FDA177.2600和FDA177.1550认证，其涵盖： EPDM VITON(FPM) SILICON HNRPTFE橡胶塑料材料等。</p>
	<p>ISO9001/2008</p> <p>东正通过中国质量认证中心CQC，ISO9001-2008/GB/T19001-2008企业质量管理体系认证。其证书编号: 00108Q24215R1M/3302</p>
	<p>卫生许可证</p> <p>东正通过了省卫生厅卫生阀门、卫生管件等检验，且获得了其颁发的证书，其编号: So083。 其许可证为国家出台的生活饮用水卫生监督方法证书。</p>
	<p>高新技术企业</p> <p>东正通过多年发展和技术创新已获得了多项国家发明专利，100多项实用新型专利，现已成为国家高新技术企业。</p>
	<p>浙江省著名商标</p> <p>东正09年获得了温州市著名商标，2012年获得了浙江省著名商标。</p>

DONJOY不但拥有以上认证和荣誉，且被评定为省科技型、创新型、专利示范、研发中心、守合同守信用企业等众多的荣誉证书。

隔膜阀

Diaphragm valve



应用 Applications

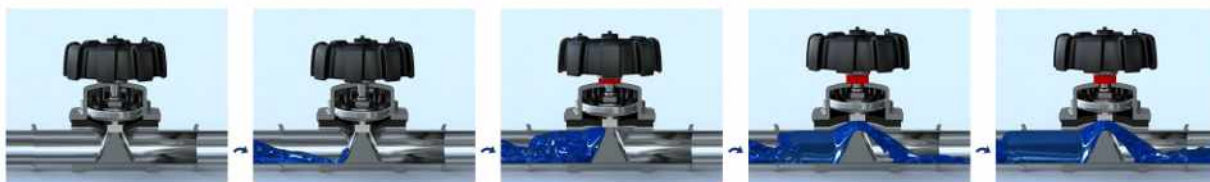
- ◆ 隔膜阀，手动或气动操作，专门应用于制药工业中的卫生和无菌过程。
- ◆ 该阀门非常适用于流体控制和开关的任务。
- ◆ 该隔膜阀同其他阀门设计相比，更容易清洁，很好的处理带颗粒的物料，在流量控制的应用上，气穴现象也更少些。
- ◆ Diaphragm valves, manually or pneumatically operated, and specifically designed for use on hygiene and aseptic processes in the pharmaceutical industries.
- ◆ The valve is excellent for flow control as well as for open/ close duties.
- ◆ The diaphragm valves are better in feature of flow in comparison with other valves. It is easier to clean up and better to process the substance with particles. The phenomenon of air pocket is rare during application of flow control.

隔膜阀

Diaphragm valve

工作原理 Operating principles

- ◆ 膜片提供阀体密封和阀座密封。里面没有路径通到外部环境，所以该阀门适用于无菌过程。
- ◆ 当阀门关闭时，支撑膜片的压力垫朝阀体上的密封面移动。当压力板移动时，膜片弯曲，被迫推向阀体中心的阀座区域，因此关闭了通向阀体的流体路径。
- ◆ 阀体和压力板的相互关系，防止了膜片的挤压。
- ◆ 该阀门可以手动也可以气动操作，也可以通过控制器和电磁阀控制。
- ◆ The diaphragm provides the body seal as well as the seat seal. There are no paths to the outside environment so it suitable for aseptic processes.
- ◆ When the valve is closed a pressure pad which supports the diaphragm moves towards the sealing face on the body. When the pressure plate moves the diaphragm flexes and is forced down onto the seat area in the centre of the body thus closing off the flow path through the body.
- ◆ The inter relationship of body to the pressure plate prevents over compression of the diaphragm.
- ◆ The valve can be manual operation and pneumatic operation control tops of solenoid valves.



隔膜阀认证 Certificates

- ◆ 制造工艺中用到的所有合成树脂和添加剂都符合FDA认证
- ◆ 材料化学成分、物理性能和制造工艺都备有证明文件
- ◆ 所有隔膜片FDA一致性认证
- ◆ -21-CFR-FDA 177.1550 全氟合成树脂
- ◆ -21-CFR-FDA-177.2600 橡胶
- ◆ USP 28CLASS VI CHAPTER 87 IN VITON和CHAPTER 88 IN-VITON一致性认证
- ◆ 3-A一致性认证 N.O.: 54-02-1580
- ◆ EN 10204-3.1关于不锈钢化学成分合成追溯性证书
- ◆ CE-PED/97/23/EC N.O.: TUV DGR 0036-QS-1153-14
- ◆ All synthetic resin and additive are comply with FDA certification
- ◆ Material chemical composition, physical properties and manufacturing process are documented
- ◆ All diaphragm seal consistency with FDA certificate
- ◆ -21-CFR-FDA 177.1550 perfluorocarbon synthetic resin
- ◆ -21-CFR-FDA-177.2600 rubber
- ◆ USP 28 class VI CHAPTER 87 IN VITON and CHAPTER 88 IN - VITON consistency the authentication
- ◆ 3 - A consistency the authentication
- ◆ EN 10204-3.1
- ◆ CE-PED/97/23/EC

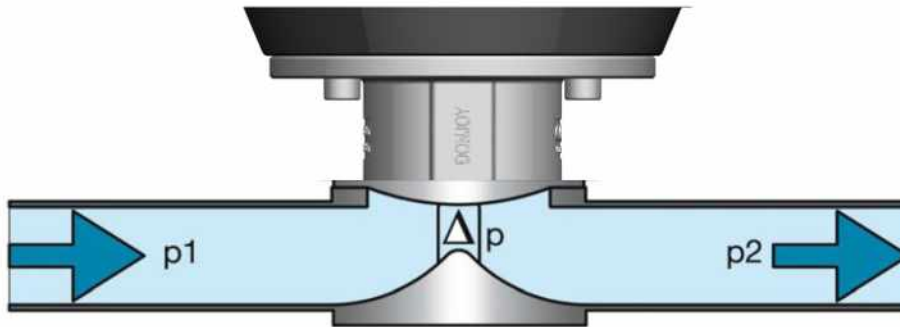


流量和隔膜阀口径的关系

Relations between flow rate and o.d

- ◆KV值是用来定义阀门流量的一个技术参数。该数据描述了5°C到30°C的水在压差为1Bar情况下阀门的流量。
- ◆KV值是表示阀门100%开启状态下的KV值。

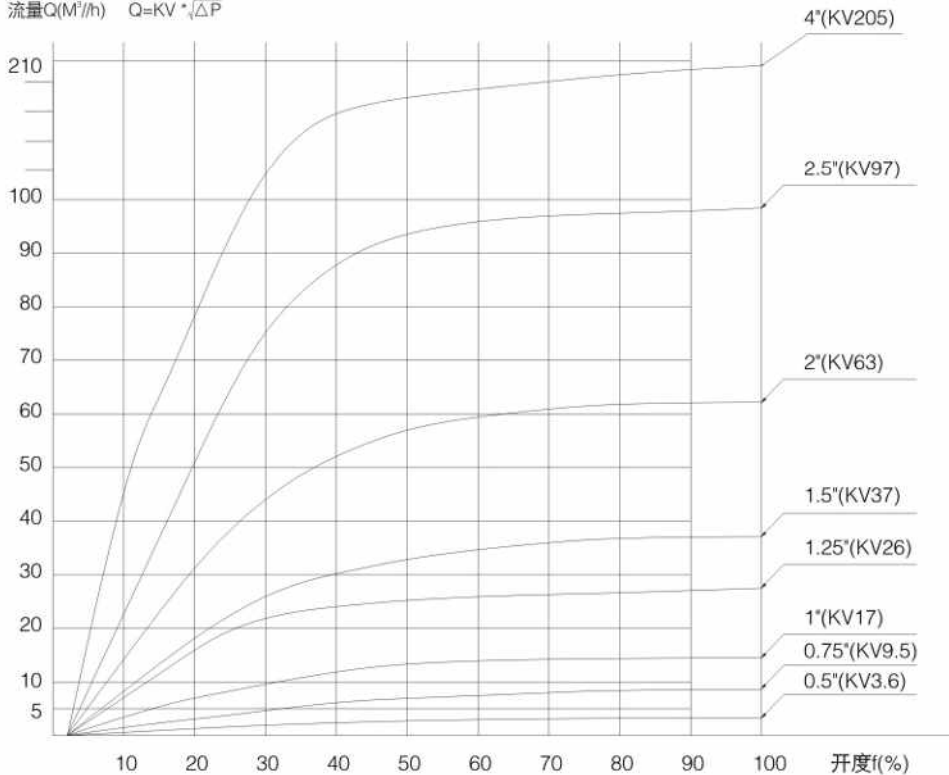
- ◆KV is a data of the flow rate. The data describes valve flux when the water of 5°C to 30°C in the pressure difference for 1bar
- ◆KV data is the valve flow open.



注意：开关量KV曲线仅供参考，100%开度为精确KV值
 Note: On-off KV curve for reference, 100% open is accurate KV value

隔膜阀流量/选择(开度f)图表
 The diaphragm valve flow/choice (opening f) chart

流量Q(M³/h) $Q=KV \cdot \sqrt{\Delta P}$



注意：上面图表适用于，介质：水(20°C)
 Note: the above chart suitable for, medium: water (20 °C)

隔膜片

Diaphragm gasket

隔膜

- ◆除了阀体之外，膜片是唯一与介质直接接触的部件，隔膜阀是靠膜片把介质和执行结构以及外部空气隔离开来。膜片也是运动部件，膜片靠隔膜阀的上下移动实现介质流量的控制和切断。
- ◆DONJOY膜片根据自己的测试方式和标准以及第三方的严格测试规范下经过多年的研发和测试，这些试验是模拟现场真实的工况。例如，用自动化饱和蒸汽闭环系统测试膜片，对膜片形状，材质成分，阀体设计，执行机构以及阀门装配等产生的影响。
- ◆所有的不同材质的膜片，安装到相同规格上都是通用的。即使更换执行机构也无需更换膜片。



一片粘合膜片 PTFE+EPDM

PTFE 隔膜片具有高抗化学腐蚀性，极高的稳定性，弹性好，寿命长，密封性高，无冷变性，以及不受温度的波动影响的极佳性能，无论是热循环，冷循环，还是蒸汽消毒系统。

- ◆规格：1"-3"，DN20-DN80
- ◆粘合膜片-20到120°C

PTFE diaphragm tablet has high chemical resistance, high stability, good flexibility, long life, high sealing, no cold degeneration, and not affected by temperature fluctuations excellent performance, whether it is thermal cycle, cold cycle, or steam disinfection system.

- ◆Specification: 1" - 3", DN20-DN80
- ◆Separate diaphragm - 20 to 120 °C



单层膜片 EPDM/Silicone/FPM Single diaphragm gasket EPDM/Silicone/FPM

橡胶膜片内嵌一层硫化纤维层增强其机械性能，该膜片在压力和温度升高具有较高的密封稳定性，加强纤维硬化在不锈钢螺栓上，从而保证橡胶更好与金属粘结合在一起。

因此橡胶膜片更适合在真空环境下使用。

- ◆规格：1"-4"，DN20-DN100
- ◆EPDM-10到120°C

Rubber diaphragm embedded a layer of vulcanized fiber layer enhance its mechanical properties, the diaphragm in pressure and temperature has high seal stability, reinforcing fiber hardening in stainless steel bolt, so as to ensure better rubber and metal bond together.

Therefore rubber diaphragm more suitable for use in vacuum environment.

- ◆Specification: 1" - 4", DN20-DN100
- ◆EPDM - 10 to 120 °C

Diaphragm

- ◆In addition to outside the valve body, the gasket is the only direct contact with the media parts, diaphragm valve is to rely on diaphragm to medium and executive structure and external air apart. Gasket is also moving parts, diaphragm on the diaphragm valve move to realize medium flow control and cut off.
- ◆DONJOY diaphragm valve gaskets according to their testing methods and standards and third party under strict test specification after many years of research and test, these tests are simulated field real condition. For example, in the automation saturated steam closed loop system testing gasket, the gasket shape, material composition, body design, actuators and the influence of valve assembly, etc.
- ◆All the different materials of the gaskets may be assembled to the valve of the same specifications. No need replacment gasket even changing actuator.



推荐

二片式/双层膜片 PTFE+EPDM Two type/double diaphragm PTFE + EPDM

由EPDM和PTFE组成的膜片，该膜片的特点在于阀门处于关闭状态时，膜片本身形状就能和阀体密封，从而降低了膜片承受力，延长了膜片的寿命。该膜片可耐受更高的温度和各种恶劣工况。

- ◆规格：1/2"-4"，DN10-DN100
- ◆分离式膜片-20到150°C

By EPDM and PTFE composed of diaphragm, the characteristics of the diaphragm is the valve is in the closed position, diaphragm itself shape can and body sealing, which reduces the diaphragm tolerance and prolong the service life of the diaphragm.

- ◆Specification: 1/2" - 4", DN10-DN100
- ◆Separate diaphragm - 20 to 150 °C



迷你型隔膜阀膜片 Mini-type diaphragm gasket

- ◆规格：1/4"-3/4" DN6-DN15
- ◆单层：EPDM SILCON PFM
- ◆双层：PTFE+EPDM
- ◆EPDM-10到120°C
- ◆PTFE+EPDM-20到150°C

- ◆Specification: 1/4" - 3/4" DN6 - DN15
- ◆Single: EPDM SILCON PFM
- ◆Double: PTFE + EPDM
- ◆Suitable temperature (°C)
- ◆EPDM - 10 to 120 °C
- ◆PTFE + EPDM - 20 to 150 °C

阀体 Valve body



锻造阀体 Forging body

锻造阀体毛坯是通过一块不锈钢锭，在锻造过程中，随着锻压高温的提供，通过挤压毛坯外形改变，通过锻压后阀体密度更高，结构更加均匀，无沙孔以及其他的杂质。再通过加工中心对其进行高精度加工。

Forging body blank is through a piece of stainless steel ingot, in the forging process, along with the high temperature forging provide, through extrusion blank shape change, through the forging after body density higher, the structure is more uniform, no sand hole and other impurities. Then through the processing center carry on the high precision machining.



铸造阀体 Casting body

铸造阀体是由模具做成石蜡模型，石蜡模型渗入在陶瓷里，达到让整个阀体蜡模表面形成一层坚固的陶瓷。融化掉蜡模后，再注入融化的不锈钢溶液，冷却后敲掉外表的陶瓷后，毛坯阀体就成型了。铸造的尺寸非常的精确，外观较光滑，整洁。

Casting body is made by the mould paraffin wax model, paraffin wax model infiltration in ceramic, to let the whole body wax mold surface form a layer of strong ceramic. Melt wax mold, then into the melting of the stainless steel solution, after cooling knock off the appearance of ceramic, blank body is made up. Casting size is very accurate, the outward appearance is a smooth, clean and tidy.



圆钢阀体 Round steel body

圆钢阀体选用超纯材料，通过CNC切割设备直接切成块状材料，再能过CNC五轴加工中心对其进行高精度加工。

Round steel body chooses ultrapure materials, cut into squares material directly by CNC cutting equipment, To a five axis CNC machining center for precision machining.

隔膜阀相关参数

Diaphragm valve relevant specification

阀体材质有多种选项

- ◆ 1.4435(ASTM A 351 CF3M)
- ◆ 1.4435-BN2 (316L) Fe < 0.5% Forged body
- ◆ ASME BPE 316L
- ◆ 1.4404/316L

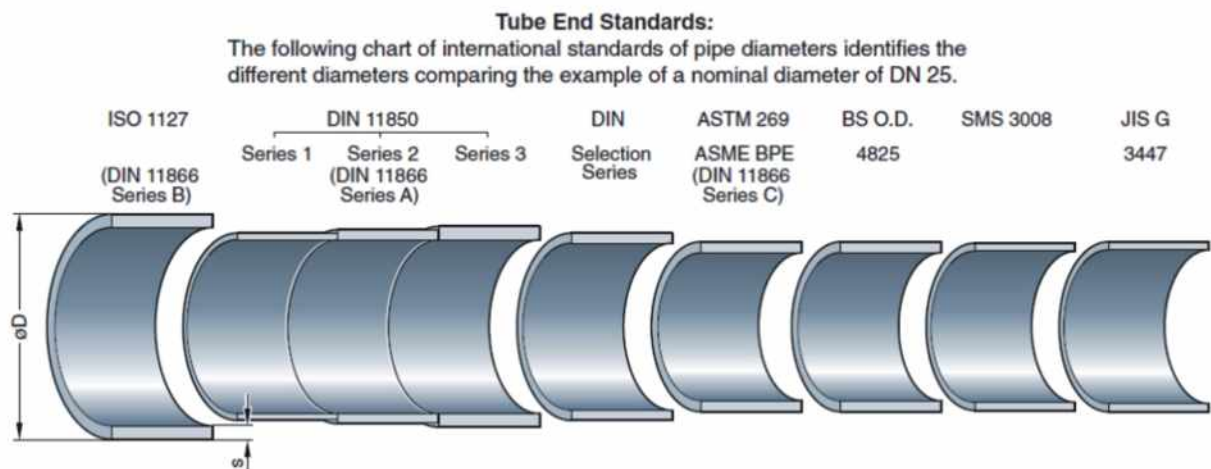
不锈钢化学成分规范
Chemical composition for automatic weld ends, %

根据ASDME BPE Table DT-3		EN 10088-3 1.4435 NB2 Fe≤0.5%	
Carbon, max	0.035	Carbon, max	< 0.03
chromium	16.00-18.00	chromium	16.00-18.00
manganese, max	2.00	manganese, max	2.00
molybdenum	2.00-3.00	molybdenum	2.5-3.0
nickel	10.00-15.00	nickel	12.5-14.0
phosphorus, max	0.045	phosphorus, max	0.045
silicon, max	1.00	silicon, max	1.00
sulfur	0.005-0.017	sulfur	≤0.030
		nitrogen	< 0.11

管道接口标准 Pipeline end standard

下表格：以DN25为列的不同国际标准卫生级不锈钢管道直径的区别

Next form: Take DN25 for example to illustrate the stainless steel pipe OD difference in different International standard health grade



阀体表面 Body surface

表面处理 Surface treatment

对高洁净的工艺管路系统来说，表面的粗糙度是极其重要的技术指标
For high clean process piping system, the roughness of the surface is an extremely important technique index



Surface finish: machined,
Ra 1.2 μm



Surface finish: machined,
Ra 0.8 μm



Surface finish: fine-machined,
and grinded, Ra 0.4 μm



Surface finish: fine-machined,
and grinded, Ra 0.2 μm



表面抛光 Surface polishing

Ra=粗糙度
平均粗糙度Ra值被作为衡量一个阀体内表面光洁度的一个参数。
LT5.6mm 长度/测量Lc0.8mm进行5次测量粗糙度得出的平均值粗糙度Ra值。
按照ASME BPE 表SF-3标准进行分类。

Ra = roughness
Average roughness Ra data is used as a measure of valve body surface finish of a parameter.
LT5.6 mm length/measurement Lc0.8 mm for five measuring roughness obtained average roughness Ra data.
According ASME BPE table to classified

Definition of the codes for Ra-Values

Allocation to the standard DIN 11866

Ra μm	DIN 11866	α
	Hygiene class	E-polished
0.8		
0.8	HE3c	●
0.6		
0.6		●
0.4		
0.4	HE4c	●
0.25		
0.25	HE5c	●

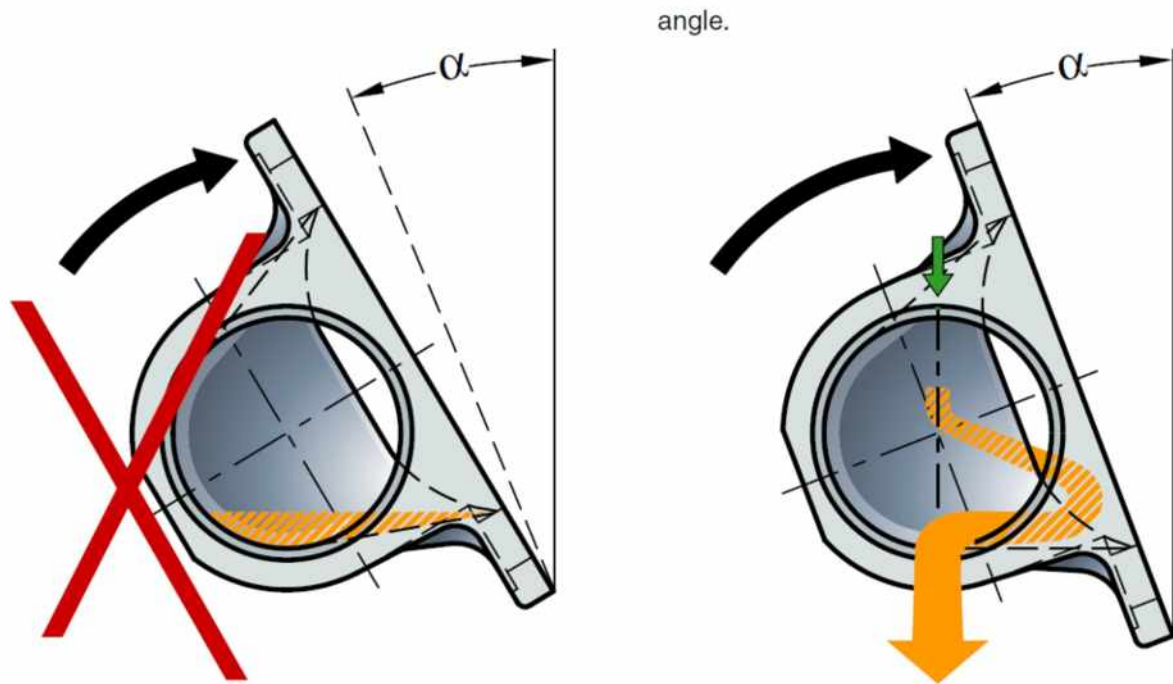
Allocation to the standard ASME BPE Table SF-6 Mechanically Polished

ASME BPE Code	Ra Average*		Ra Max	
	μ-Inch	μm	μ-Inch	μm
SFV3	25	0.625	30	0.75
SFV2	20	0.5	25	0.625
SFV1	15	0.375	20	0.5
Mechanically polished and electro polished				
SFV6	20	0.5	25	0.625
SFV5	15	0.375	20	0.5
SFV4	10	0.25	15	0.375

自排空安装角度

Self-emptying installation angle

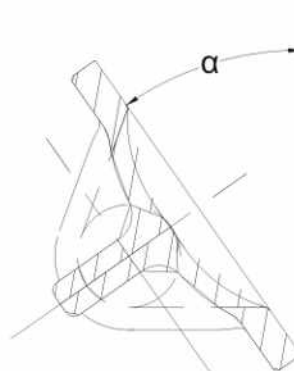
在卫生洁净管路系统上应用的所有隔膜阀应符合以下标准的安装角度也是重要的准则之一就是阀门具有自排空功能。
 In hygienic clean piping system of application of all diaphragm valve should meet the following standard installation Angle and self-emptying fuction.



安装建议 Installation suggestion

为了达到最佳的自排空效果，我们建议，对于安装长管线上的隔膜阀要有 $\alpha\%$ 倾斜，这样就可以保证整个系统具有完全自排空效果。

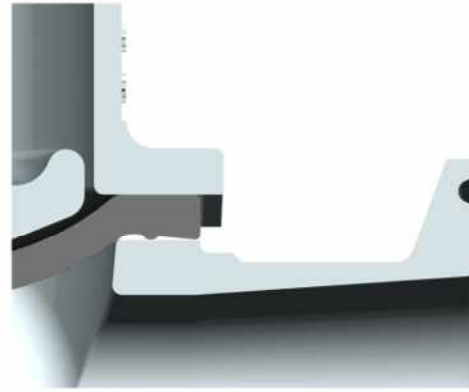
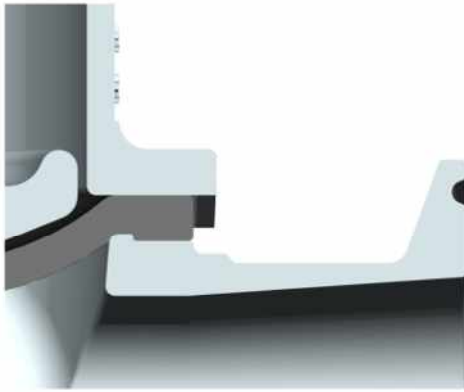
In order to achieve the best self-emptying effect, installing on long pipeline, we suggust declining the valve by $\alpha\%$ so as to ensure the completely self-emptying in the system.



SIZE		α
1/4"-1/2"	DN6-DN10	25
3/4"	DN15	28
	DN20	42.5
1"	DN25	35
1.25"	DN32	30
1.5"	DN40	27.5
2"	DN50	27.5
2.5"	DN65	20
3"	DN80	14
4"	DN100	23.5

隔膜系统优势比较

Diaphragm system advantage



东正隔膜系统
Donjoy seal system

传统隔膜系统
Conventional seal systems

DONJOY 作为一家先进隔膜阀供应商，我们的隔膜系统有着非常良好死角处理，并且符合EHEDG要求，通过3A认证，且符合EHEDG

As a supplier of advanced diaphragm, diaphragm system we have a very good deal with the dead angle and in line with EHEDG requirements





各种配置隔膜阀-非常灵活的各种组合

Various configuration of diaphragm valve-Variou combinations of very flexible

执行机构 Actuator



不锈钢手动机构
Stainless steel hand wheel



塑料手动机构
Plastic hand wheel



不锈钢气动机构
Stainless steel actuator



单作用塑料气动机构
single-acting plastic actuator



双作用塑料气动机构
Double-acting plastic actuator



电动执行器+阀盖
Electric actuators + cover

膜片 Gasket



单层橡胶膜片
Single silicone gasket



粘合式PTFE+EPDM
Adhesive type PTFE+EPDM



两片式PTFE+EPDM
Two pieces PTFE+EPDM

阀体 Body



直通 Direct way



罐底 Tank bottom



三通 Tee



多通 Multiport

各种自控气动配置隔膜阀

Various configurations of automatic control of pneumatic diaphragm valve



IL-TOP-1431

定位器/过程控制器(IL-TOP) Positioner/Process Controller(IL-TOP)

电源: DC 24V
 输入信号: 0/4-20mA, 0-5/10V
 反馈输出: 0/4-20mA, 0-5/10V
 总线: DEVICE NET BUS
 MODE BUS RS485
 防护等级: IP67
 支持手动操作
 适用规格: 1"-4", DN25-DN100
 Power Supply: DC 24V
 Signal Input: 0/4-20mA, 0-5/10V
 Signal Output: 0/4-20mA, 0-5/10V
 Bus Line: DEVICE NET BUS
 MODE BUS RS485
 IP Grade: IP67
 Manual Operation
 Specification: 1"-4", DN25-DN100



C-TOP-1421



C-TOP-1311

控制单元(C-TOP) Control Unit(C-TOP)

单键位置自整定 Position self-adjusting
 输入 Signal input DC 24V+ (PNP)
 模拟信号输出 Analog signal output 4-20mA
 数字信号输出 Digital signal output DC24V+ (PNP)
 输入 Input DC 24V- (NPN)(可选 Option)
 数字信号输出 Digital signal Input
 DC24V- (NPN)(可选 Option)
 总线通讯 Bus communication:
 AS-Interface BUS(可选 Option)
 位置精度偏移 Location precision migration $\pm 0.5\text{mm}$
 位置偏移报警(防止阀门微泄漏)
 Location migration alarm(avoid valve leaking
 手动操作功能 Manual function operation
 三段灯颜色 Three colour setting(1421)
 二段灯颜色 Two colour setting(1311)
 行程范围: 有两种选择 30MM和60MM
 Journey: 2 Option 30MM and 60MM
 电源 Power supply DC24V $\pm 10\%$
 适用于 Apply 1/2"-4", DN10-DN100



阀位调节器 Valve Position Regulator

该调节器可以手动
 调节阀位, 实现流量的调节
 适用规格: 1/2"-4", DN8-DN100
 Support manual operation
 Adjust valve position to regulate flow rate
 Specification: 1/2"-4", DN8-DN100



位置传感器组件 Position Sensor Module

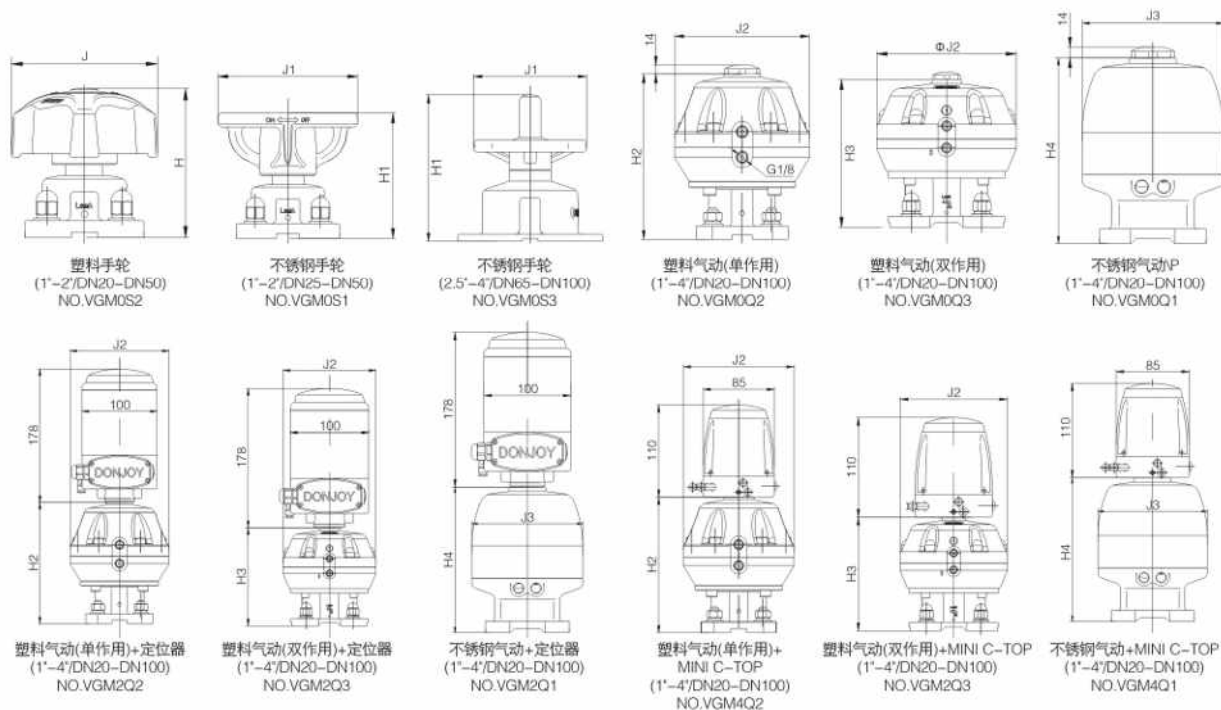
电源: DC24V AC110V/220V
 PNP/NPN NC/NO
 适用规格: 1/2"-4", DN10-DN100
 Power supply: DC24V AC110V/220V
 PNP/NPN NC/NO
 Specification: 1/2"-4", DN10-DN100



位置反馈器
Position feedback device
FQ-TOP 1533

隔膜阀尺寸图

Dimension of diaphragm valve



DIN32676/DIN11850-1/2 DIN 11866-A

SIZE	J	J1	J2	J3	H	H1	H2	H3	H4
DN20	90	100	132	103	101	101	160	143	147
DN25	90	100	132	103	101	101	160	143	147
DN32	114	124	162	129	110	110	204	173	184
DN40	114	124	162	129	110	110	204	173	184
DN50	114	124	162	129	131	131	211	180	191
DN65	-	130	235	177	-	213	216	216	183
DN80	-	130	235	177	-	213	216	216	183
DN100	-	190	235	224	-	284	216	216	249

ASME BPE/ASTM 269 / DIN 1186/C

SIZE	J	J1	J2	J3	H	H1	H2	H3	H4
1"	90	100	132	103	101	101	160	143	147
1.25"	114	124	162	129	110	110	204	173	184
1.5"	114	124	162	129	110	110	204	173	184
2"	114	124	162	129	131	131	211	180	191
2.5"	-	130	235	177	-	213	216	216	183
3"	-	130	235	177	-	213	216	216	183
4"	-	190	235	224	-	284	216	216	249

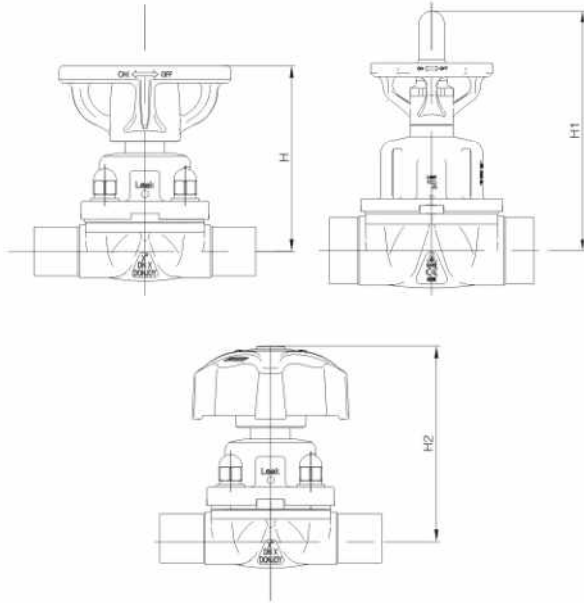
ISO1127 DIN 1186-B

SIZE	J	J1	J2	J3	H	H1	H2	H3	H4
3/4"	90	100	132	103	101	101	160	143	147
1"	114	124	162	129	110	110	204	173	184
1 1/4"	114	124	162	129	131	131	211	180	191
1.5"	114	124	162	129	131	131	211	180	191
2"	-	130	235	177	-	213	216	216	183
2.5"	-	130	235	177	-	213	216	216	183

隔膜阀尺寸图

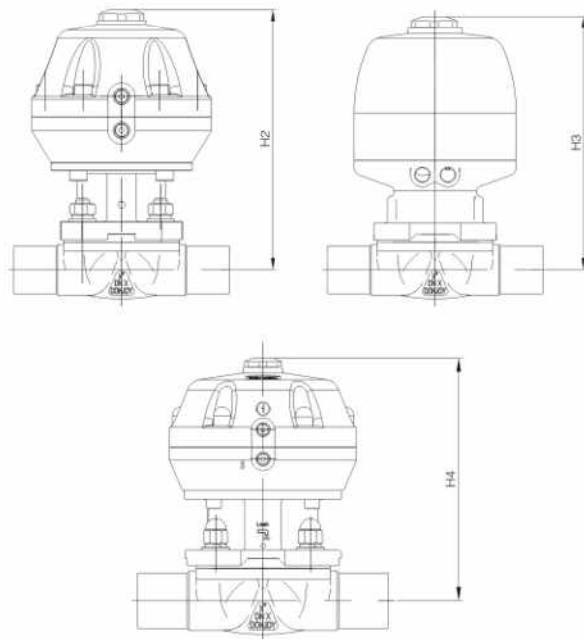
Dimension of diaphragm valve

手动隔膜阀 Manual diaphragm valve



SIZE	H	H1	H2	
-	DN20	118	-	118
1"	DN25	120	-	120
1.25"	DN32	133	-	133
1.5"	DN40	136	-	136
2"	DN50	163	-	163
2.5"	DN65	-	254	-
3"	DN80	-	257	-
4"	DN00	-	350	-

气动隔膜阀 Pneumatic diaphragm valve

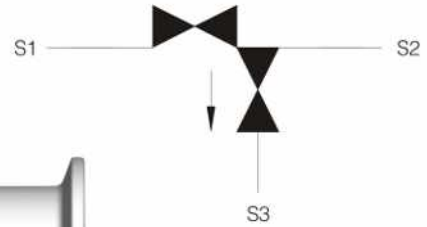


SIZE	H2	H3	H4	
-	DN20	176	163	160
1"	DN25	178	165	162
1.25"	DN32	228	208	197
1.5"	DN40	231	211	200
2"	DN50	245	225	213
2.5"	DN65	258	225	258
3"	DN80	260	228	260
4"	DN00	298	315	298

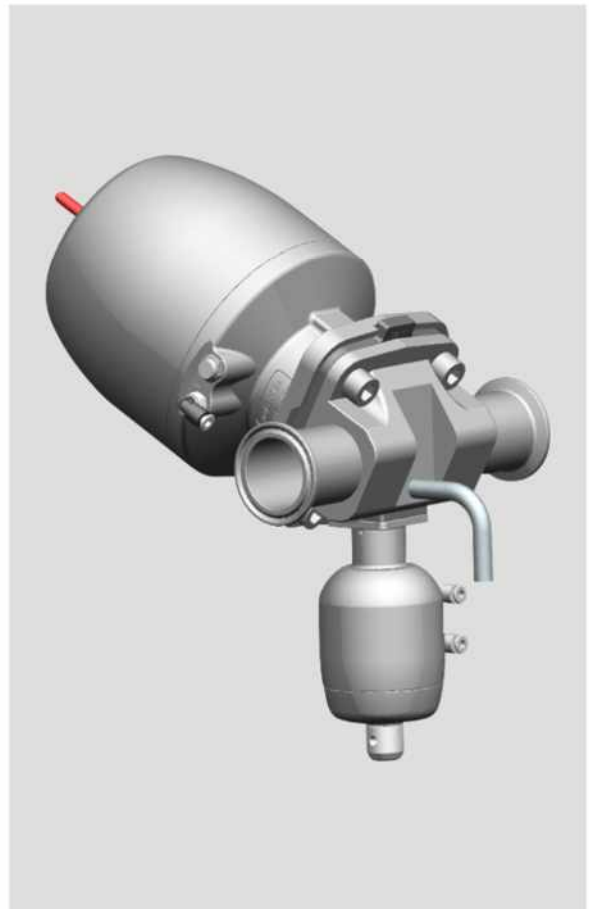
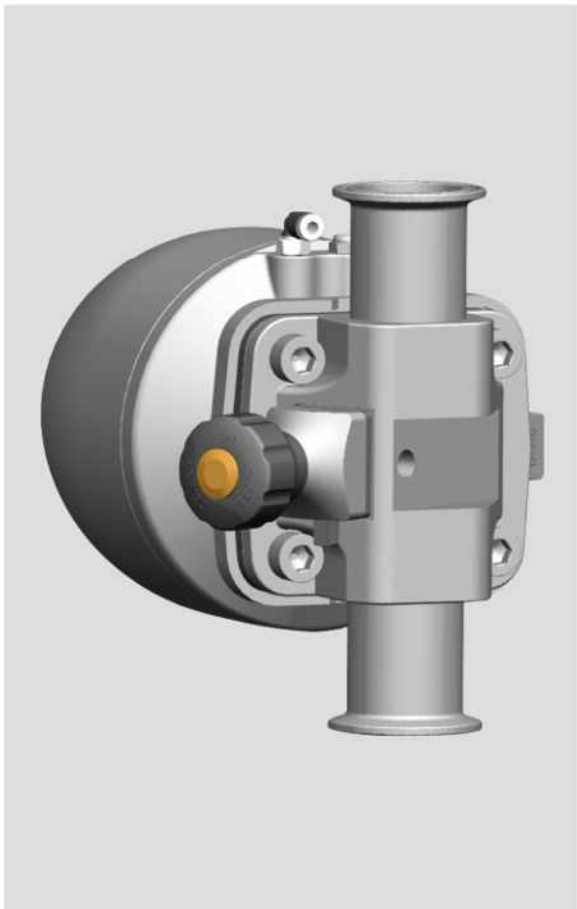
隔膜阀尺寸图

Dimension of diaphragm valve

M-32H



M-32H型Type



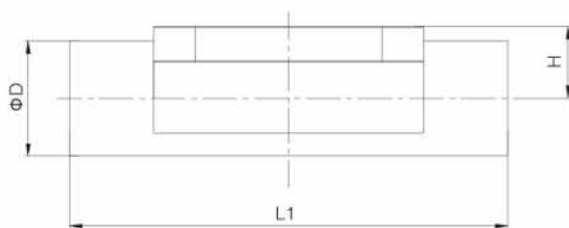
隔膜阀尺寸图

Dimension of diaphragm valve

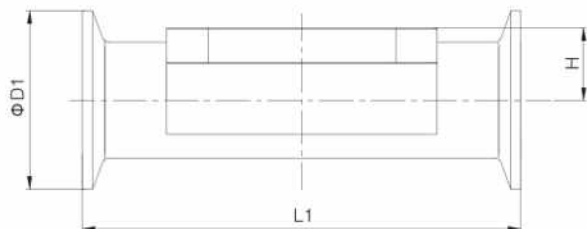
隔膜阀锻造阀体Diaphragm valve forging body



直通阀体 DN20/1"-DN40/1.5"腔体比值 $\leq 3D$ DN50/2"-DN100/4"腔体比值 $\leq 2D$



NO.ZD-H



NO.ZD-K

DIN32676/DIN11850-1/2/DIN11866-A

SIZE	D	D1	L1	H
DN20	22/23	34	117	17.2
DN25	28/29	50.5	127	17.2
DN32	34/35	50.5	146	21.2
DN40	40/41	50.5	159	24.2
DN50	52/53	64	190	31.5
DN65	70	91	216	40
DN80	85	106	254	50
DN100	104	119	305	58

ASME BPE/ASTM 269/DIN11866-C

SIZE	D	D1	L1	H
1"	25.4	50.5	127	17.2
1.25"	31.8	50.5	146	21.2
1.5"	38.1	50.5	159	24.2
2"	50.8	64	190	31.5
2.5"	63.5	77.5	216	40
3"	76.2	91	254	43
4"	101.6	119	305	58

ISO1127/DIN11866-B

SIZE	D	D1	L1	H
3/4"	26.9	50.5	127	17.2
1"	33.7	50.5	146	21.2
1 1/4"	42.4	50.5	159	24.2
1.5"	48.3	64	190	31.5
2"	60.3	77.5	216	40
2.5"	76.2	91	254	43

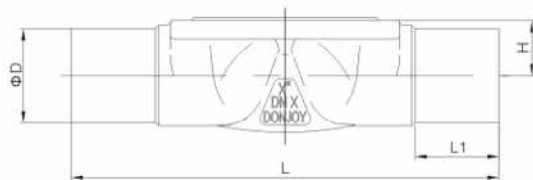
隔膜阀尺寸图

Dimension of diaphragm valve

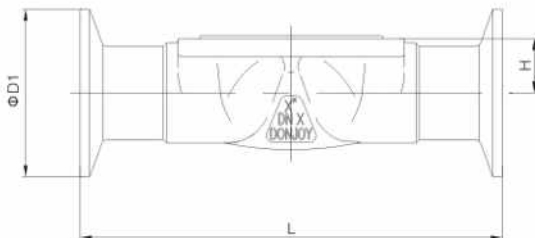
隔膜阀铸造阀体Diaphragm valve casting body



直通阀体 DN20/1"-DN40/1.5"腔体比值 $\leq 3D$ DN50/2"-DN100/4"腔体比值 $\leq 2D$



NO.ZZ-H



NO.ZZ-K

DIN32676/DIN11850-1/2/DIN11866-A

SIZE	D	D1	L	H	L1
DN20	22	34	117	17.2	22
DN25	28	50.5	127	17.2	25
DN32	34	50.5	146	21.2	25
DN40	40	50.5	159	24.2	25
DN50	52	64	190	31.5	30
DN65	70	91	216	40	30
DN80	85	106	254	50	
DN100	104	119	305	58	

ASME BPE/ASTM 269/DIN11866-C

SIZE	D	D1	L	H	L1
1"	25.4	50.5	127	17.2	20
1.25"	31.8	50.5	146	21.2	20
1.5"	38.1	50.5	159	24.2	20
2"	50.8	64	190	31.5	30
2.5"	63.5	77.5	216	40	30
3"	76.2	91	254	43	30
3.5"	89	106	254	50	
4"	101.6	119	305	58	

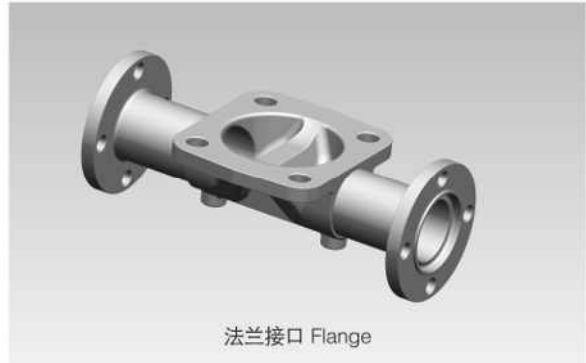
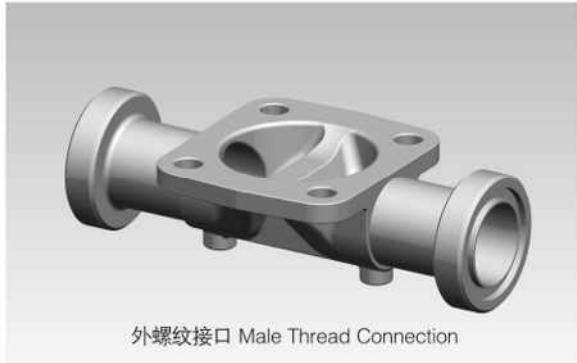
ISO1127/DIN11866-B

SIZE	D	D1	L	H
3/4"	26.9	50.5	127	17.2
1"	33.7	50.5	146	21.2
1 1/4"	42.4	50.5	159	24.2
1.5"	48.3	64	190	31.5
2"	60.3	77.5	216	40
2.5"	76.2	91	254	43

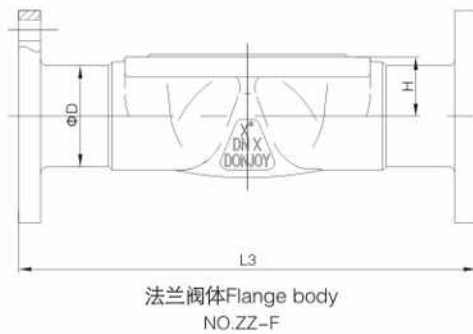
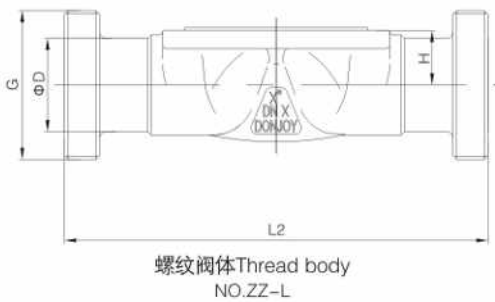
隔膜阀尺寸图

Dimension of diaphragm valve

螺纹/法兰阀体 Thread/Flange casting body



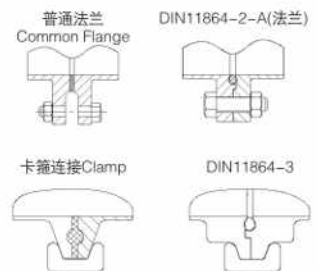
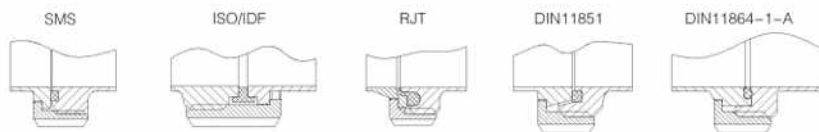
直通阀体 DN20/1"-DN40/1.5"腔体比值 <= 3D DN50/2"-DN100/4"腔体比值 <= 2D



SIZE	D	H	L2	L3
DN20	22	17.2	117	117
DN25	28	17.2	127	127
DN32	34	21.2	146	146
DN40	40	24.2	159	159
DN50	52	31.5	190	190
DN65	70	40	216	216
DN80	85	50	254	254
DN100	104	58	305	305

SIZE	D	H	L2	L3
1"	25.4	17.2	127	127
1.25"	31.8	21.2	146	146
1.5"	38.1	24.2	159	159
2"	50.8	31.5	190	190
2.5"	63.5	40	216	216
3"	76.2	43	254	254
4"	89	50	254	254
4"	101.6	58	305	305

可提供各种连接方式 Various Connection



T型三通隔膜阀 Tee diaphragm valve

T型、三通隔膜阀 Tee diaphragm valve

- ◆ SIZE: 1"-4", DN25-DN100
- ◆ 手动气动均可配置
- ◆ 连接方式: 卡箍、焊接、特殊接口



- ◆ SIZE: 1"-4", DN25-DN100
- ◆ Manual/pneumatic
- ◆ Connection: clamp, welding and other special connection



Dimension example for diaphragm size 10

三通阀体+取样阀, 优化死角设计, 但这些都是专为大管道需要小支管。理想的直管道 \geq DN50, 出口分支机构和阀座 $1/2''-3/4''$

Three-way valve + sampling valve, designed to optimize dead angle, but these are special needs of small branch pipe for the big pipe. Ideal straight pipes \geq DN50, export branches and seat $1/2''-3/4''$

U型-C系列 三通隔膜阀 Tee diaphragm valve

- ◆ SIZE: 1"-4", DN25-DN100
- ◆ 手动气动均可配置
- ◆ 连接方式: 卡箍、焊接、特殊接口

- ◆ SIZE: 1"-4", DN25-DN100
- ◆ Manual/pneumatic
- ◆ Connection: clamp, welding and other special connection



U型-B系列 三通隔膜阀 Tee diaphragm valve

U-B三通隔膜阀
U-B Tee Diaphragm Valve



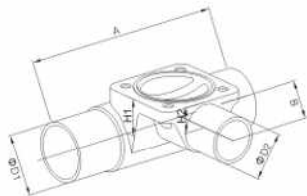
U-B三通隔膜阀
U-B Tee Diaphragm Valve



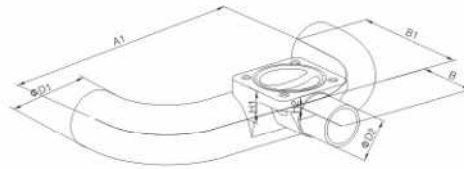
三通隔膜阀

Tee diaphragm valve

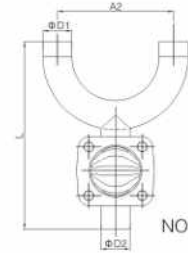
隔膜阀阀体(三通/U型三通) Diaphragm valve body (Tee, U-type)



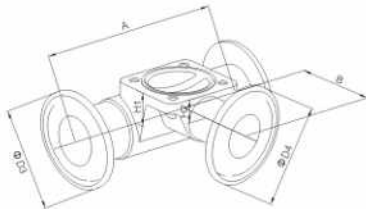
NO.T-H



NO.UC-H

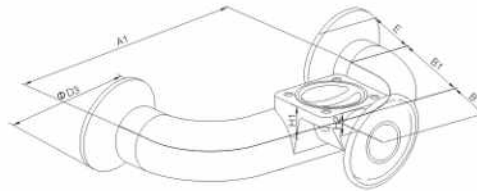


NO.UB-H



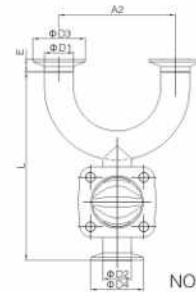
NO.T-K

三通阀体



NO.UC-K

U-C型三通阀体



NO.UB-K

U-B型三通阀体

DIN32676/DIN11850-1/2

SIZE	D1	D2	D3	D4	A	A1	A2	B	B1	H1	H2	L	E
DN25-1/2"	28	12.7	50.5	25.4	100	200	100	59	80	24.5	9	125.1	12.7
DN25-3/4"		19		34				13			136.5		
DN25-DN20		22		34				17			165.5		
DN25-DN25	28	50.5	124	224	85	29.8	17	170.5					
DN32-1/2"	34	12.7	50.5	25.4	100	210	110	61	85	26.5	9	133.1	12.7
DN32-3/4"		19		34				13			144.5		
DN32-DN20		22		34				17			173.5		
DN32-DN25	28	50.5	124	234	85	32.8	17	178.5					
DN32-DN32	34	50.5	124	234	85	20	200						
DN40-1/2"	40	12.7	50.5	25.4	100	220	120	64	90	29.5	9	141.1	12.7
DN40-3/4"		19		34				13			152.5		
DN40-DN20		22		34				17			181.5		
DN40-DN25	28	50.5	124	244	89	17	186.5						
DN40-DN32	34	50.5	152	272	109	20	208						
DN40-DN40	40	50.5	152	272	109	23	214.5						
DN50-1/2"	52	12.7	64	25.4	100	240	140	70	100	33.5	9	157.1	12.7
DN50-3/4"		19		34				13			168.5		
DN50-DN20		22		34				17			197.5		
DN50-DN25	28	64	50.5	124	264	95	17	202.5					
DN50-DN32	34	50.5	152	292	115	20	224						
DN50-DN40	40	50.5	184	324	123	23	230.5						
DN50-DN50	52	64	184	324	123	29	253						

ASME BPE/ASTM 269

SIZE	D1	D2	D3	D4	A	A1	A2	B	B1	H1	H2	L	E
1"-1/2"	25.4	12.7	50.5	25.4	100	176	76.2	59	68	24.5	9	141.9	12.7
1"-3/4"		19.1		25.4				13			153.3		
1"-1"		25.4		50.5				124			200	85	
1 1/4"-1/2"	31.8	12.7	50.5	25.4	100	195.5	95.4	61	78	26.5	9	154.7	12.7
1 1/4"-3/4"		19.1		25.4				13			166.1		
1 1/4"-1"		25.4		50.5				124			219.5	85	
1 1/4"-1 1/4"	31.8	50.5	152	266	114.3	20	221.6						
1.5"-1/2"	38	12.7	50.5	25.4	100	214	114.3	64	87	29.5	9	167.3	12.7
1.5"-3/4"		19.1		25.4				13			176.7		
1.5"-1"		25.4		50.5				124			238	89	
1.5"-1 1/4"	31.8	50.5	152	266	114.3	20	234.2						
1.5"-1.5"	38.1	50.5	184	324	123	23	240.7						
2"-1/2"	50.8	12.7	64	25.4	100	252.5	152.4	70	106	33.5	9	192.7	12.7
2"-3/4"		19		25.4				13			204.1		
2"-1"		25.4		50.5				124			276.5	95	
2"-1 1/4"	31.8	50.5	152	304.5	152.4	20	259.6						
2"-1.5"	38.1	50.5	184	366.5	152.4	23	266.1						
2"-2"	50.8	64	184	366.5	152.4	29	286.6						

隔膜罐底阀 Diaphragm tank bottom valve



隔膜罐底阀

- ◆ SIZE: 1"-4", DN25-DN100
- ◆ 手动气动均可配置
- ◆ 出口连接方式: 卡箍、焊接、特殊接口

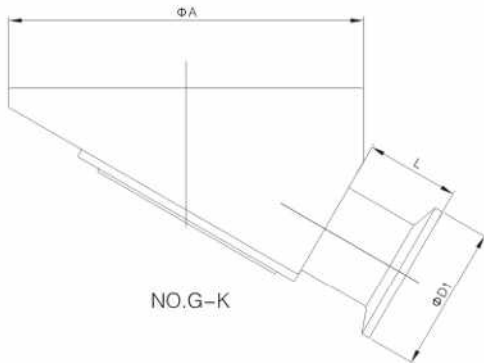
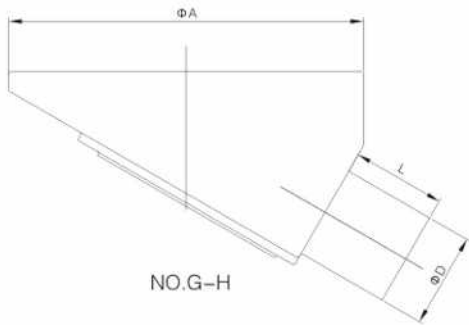
Diaphragm tank bottom valve

- ◆ SIZE: 1" - 4", DN25-DN100
- ◆ Manual pneumatic all can be configured
- ◆ Export connection mode: clamp, welding, special interface

隔膜阀尺寸图

Dimension of diaphragm valve

罐底阀体 Tank bottom casting body

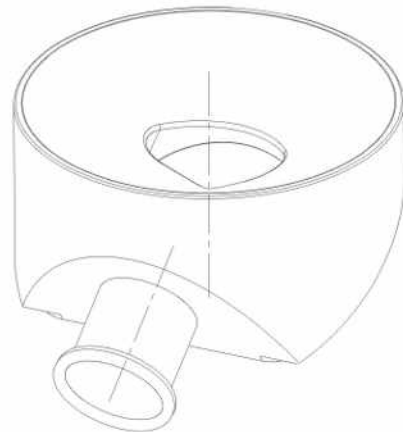
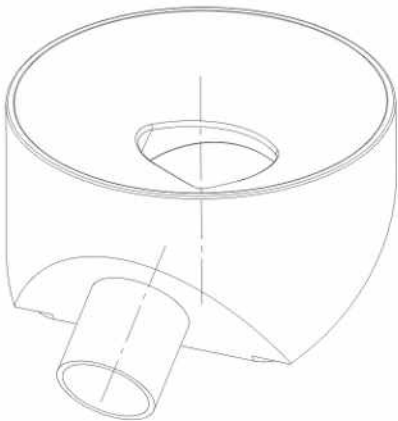


DIN32676/DIN11850-1/2

SIZE	D	D1	L	A
DN15	18/19	34	25	95
DN20	22/23	34	25	95
DN25	28	50.5	25	95
DN32	34	50.5	25	126
DN40	40	50.5	30	134
DN50	52	64	30	161
DN65	70	91	30	250
DN80	85	106	30	250
DN100	104	119	30	320

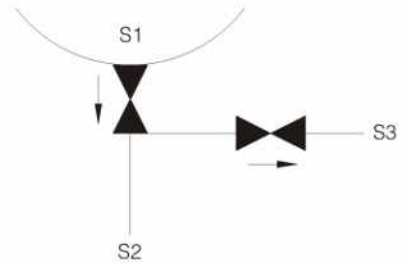
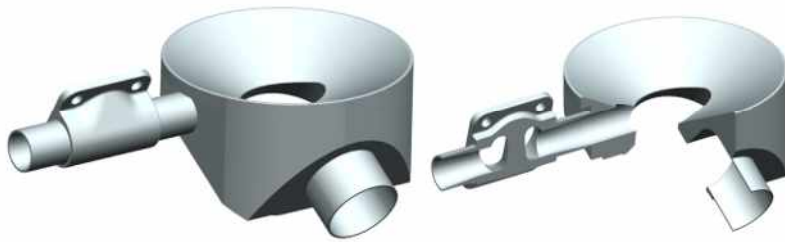
ASME BPE/ASTM 269

SIZE	D	D1	L	A
3/4"	19	25.4	25	95
1"	25.4	50.5	25	95
1.25"	31.8	50.5	25	126
1.5"	38	50.5	30	134
2"	50.8	64	30	161
2.5"	63.5	77.5	30	250
3"	76.2	91	30	250
4"	101.6	119	30	320



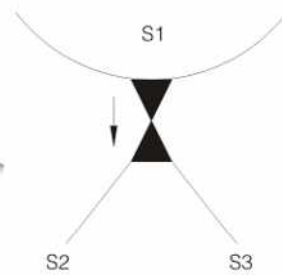
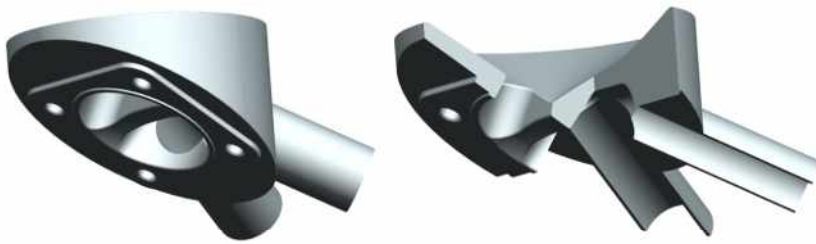
多通道罐底隔膜阀 Multipass tank bottom diaphragm valve

MG-32A



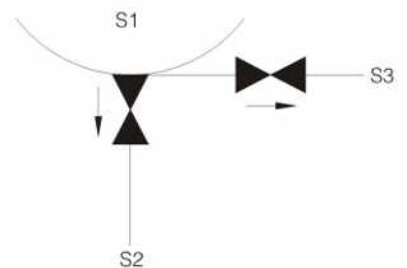
3个通道, 2个控制阀
Three ports, two control valve

MG-31A



3个通道, 1个控制阀
Three ports, one control valve

M-32B



3个通道, 2个控制阀
Three ports, two control valve

隔膜调节阀

Diaphragm regulating valve

调节式隔膜阀主要应用在生物制药流体控制系统中，起到流量调节的作用，该调节阀具有标准隔膜阀所有高洁净特点，隔膜调节阀，相比较于其他结构的调节阀具有气穴现象会更少。

具体详细资料请查阅自控调节阀目录资料

Adjustable diaphragm valve is mainly used in biomedical fluid flow control system, the flow rate adjustment the effect of section, the regulator has high standard diaphragm valve all clean characteristics, fluid after adjustment body conveying cavitation will be less.

For more details please refer to the automatic control valve catalog information



技术规格 Technical specifications

- ◆ SIZE: 1"-4", DN20-DN100
- ◆ 电源: DC24V
- ◆ 信号输入: 0/4-20mA, 0-5/10V(标准)
- ◆ 反馈输出: 4-20mA, 0-10V(选项)
- ◆ 总线: DEVICE NET BUS
MODE BUS RS485
- ◆ 执行机构: 塑料和不锈钢
- ◆ 防护等级: IP67
- ◆ SIZE: 1-4", DN20-DN100
- ◆ Power supply: DC24V
- ◆ Signal input: 0/4-20 ma, 0-5/10 v (standard)
- ◆ Output feedback: 4-20 ma, 0 to 10 v (option)
- ◆ BUS: DEVICE NET BUS
MODE BUS RS485
- ◆ Actuator: plastic and stainless steel
- ◆ Protection grade: IP67



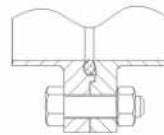
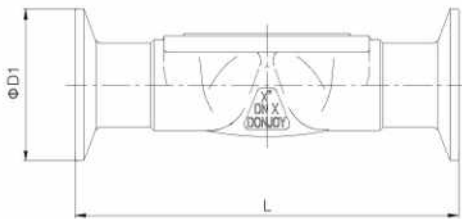
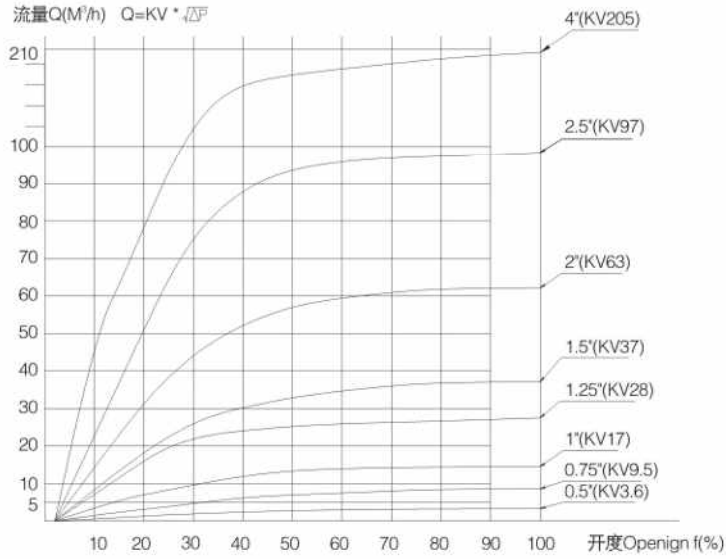
简单清晰的操作界面
自整定功能
操作和自动单键切换

Simple and clear user interface
Self-tuning function
Operation and automatic switch single bond

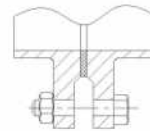
隔膜调节阀尺寸图

Dimension of diaphragm regulating valve

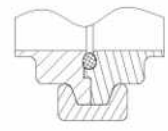
隔膜阀流量/选择(开度f)图表
Diaphragm regulating valve KV value curve flow



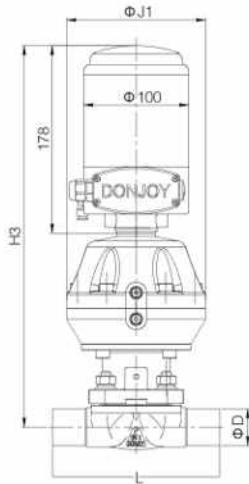
DIN11864-2



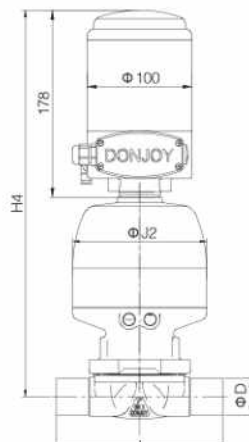
普通法兰



DIN11864-3



塑料气动隔膜阀+定位器
NO.VGZ103Q2



不锈钢气动隔膜阀+定位器
NO.VGZ103Q1

DIN32676/DIN11850-1/2

SIZE	D	D1	J1	J2	L	H3	H4
DN20	22/23	34	132	103	117	353	340
DN25	28/29	50.5	132	103	127	353	340
DN32	34/35	50.5	162	129	146	403	385
DN40	40/41	50.5	162	129	159	406	388
DN50	52/53	64	162	129	190	420	400
DN65	70	91	235	177	216	432	400
DN80	85	106	235	177	254	435	402
DN100	104	119	235	224	305	470	490

ASME BPE/ASTM 269

SIZE	D	D1	J1	J2	L	H3	H4
1"	25.4	50.5	132	103	127	353	340
1.25"	31.8	50.5	162	129	146	403	385
1.5"	38.1	50.5	162	129	159	406	388
2"	50.8	64	162	129	190	420	400
2.5"	63.5	77.5	235	177	216	432	400
3"	76.2	91	235	177	254	435	402
4"	101.6	119	235	224	305	470	490



各种配置隔膜阀

Various configuration of diaphragm valve

气动隔膜阀+迷你型C-TOP Pneumatic diaphragm valve + Mini C-TOP

单键位置自整定 Position self-adjusting
 输入 Signal input DC 24V+ (PNP)
 模拟信号输出 Analog signal output 4-20mA
 数字信号输出 Digital signal output DC24V+ (PNP)
 输入 Input DC 24V- (NPN)(可选 Option)
 数字信号输出 Digital signal Input DC24V- (NPN)(可选 Option)
 总线通讯 Bus communication: AS-Interface BUS(可选 Option)
 位置精度偏移 Location precision migration $\pm 0.5\text{mm}$
 位置偏移报警(防止阀门微泄漏) Location migration alarm(avoid valve leaking)
 手动操作功能 Manual function operation
 三段灯颜色 Three colour setting(1421)
 二段灯颜色 Two colour setting(1311)
 行程范围: 有两种选择 30MM和60MM
 Journey: 2 Option 30MM and 60MM
 电源 Power supply DC24V $\pm 10\%$
 适用于 Apply 1/2"-4", DN10-DN100

绿灯亮开启 Green light
 红灯亮关闭 Red-light
 按钮Button



气动隔膜阀+位置传感器 Pneumatic diaphragm valve + position sensor

该装置, 安装简单、方便、高效
 传感器, PNP.NPN,DC24V AC220V/110V
 This device, easy to install, convenient and efficient
 Sensor, PNP. NPN, DC24V AC220V / 110 V



气动隔膜阀+流量调节器 Pneumatic diaphragm valve + flow regulator

优点, 与安装定位器比较成本较低, 运动速度快
 缺点, 不能自动调节流量
 Advantages, the cost of installation flow regulator is lower
 compair with locator, running speed is faster.
 Faults, can not automatically adjust flow.

气动隔膜阀+位置反馈器

Pneumatic diaphragm valve + position feedback device



气动隔膜阀+位置反馈器 Pneumatic diaphragm valve + position feedback device

该位置反馈器，主要用来反馈阀位信号反馈。

阀位精度 $\pm 0.5\text{mm}$

阀位偏移警告功能

3段LED灯显示阀门工作状态

红色灯亮 = 阀门关闭

蓝色灯亮 = 阀门开启

绿色灯亮 = 第三个位置开启

红色灯闪烁 = 位置偏离或位置未到位

信号输出：4-20mA 模拟信号

DC24V+PNP(标准)

DC24V -NPN(可选)

供电：DC24V

防护：IP67

The position feedback device, mainly used for feedback signal valve position feedback.

Valve position precision of $\pm 0.5\text{ mm}$

Valve position offset warning function

Section 3 of the LED display the valve working condition

Red lights = valve shut off

Blue lights = open valve

Green lights = the third position open

Red light flashing = location deviation or not in place

Signal output: 4-20 ma

DC24V + PNP (standard)

DC24V - NPN (optional)

Power supply: DC24V

Protection: IP67



■ 开启/关闭，任意设定

■ 关闭/开启，任意设定

■ 中间位置

隔膜阀 Diaphragm valve



不锈钢执行器
Stainless steel actuators

塑料执行器
Plastic actuators

气动隔膜阀 Pneumatic diaphragm valve

- ◆ SIZE: 1"-4", DN25-DN100
- ◆ 最高温度: -30到150°C(分离2片式膜片 EPDM+PTFE)
- ◆ 最高温度: -30到130°C
(单层膜片EPDM/双层粘合式膜片EPDM+PTFE)
- ◆ 最高压力: 单向(DELTA P=100%)
常闭橡胶8bar, PTFE 6bar(选项)
常闭橡胶6bar, PTFE 4.5bar(标准)
常开和双作用橡胶8bar, PTFE 6bar
- ◆ 换装不同的执行器可以满足更高压力等级
- ◆ 锻造阀体: 1.4404/316L /1.4435 Nb2 Fe < 0.5%, ASME BPE 316L
- ◆ 铸造阀体: 1.4404/316L
- ◆ 连接方式: 焊接、卡箍、法兰、螺纹
- ◆ SIZE: 1"-4", DN25-DN100
- ◆ Max temperature: - 30 to 150 °C (depending on diaphragm)
(stainless steel actuator)
- ◆ Max temperature: - 30 to 130 °C (depending on diaphragm)
(plastic actuator)
- ◆ Max pressure: one way (DELTA P = 100%)
Normally close EPDM 8 bar, PTFE 6 bar (option)
Normally close EPDM 6 bar, PTFE 4.5 bar (standard)
and double action EPDM 8 bar, PTFE 6 bar
- ◆ Assemble different actuators can meet the higher pressure rating
- ◆ Forging body: 1.4404/316 L /1.4435 Nb2 Fe < 0.5%, ASME BPE 316L
- ◆ Casting the body: 1.4404/316 L
- ◆ Connection: welding, clamp, flange, thread



塑料手轮隔膜阀
Plastic handwheel

手动隔膜阀 Manual diaphragm valve

- ◆ SIZE: 1"-4", DN25-DN100
- ◆ 最高温度: -30到150°C(分离2片式膜片 EPDM+PTFE)
- ◆ 最高温度: -30到130°C
(单层膜片EPDM/双层粘合式膜片EPDM+PTFE)
- ◆ 最高压力: 10bar
- ◆ 锻造阀体: 1.4404/316L/ASME BPE 316L/1.4435 BN2 Fe ≤ 0.5
- ◆ 铸造阀体: 1.4404/316L/ASTM A351 CF3M
- ◆ 连接方式: 焊接、卡箍、法兰、螺纹
- ◆ SIZE: 1" - 4", DN25-DN100
- ◆ Max temperature: - 30 to 150 °C (depending on diaphragm)
(stainless steel wheel)
- ◆ Max temperature: - 30 to 130 °C (depending on diaphragm)
(plastic wheel)
- ◆ Max pressure: 10 bar
- ◆ Forging body: 1.4404/316L/ASME BPE 316L/1.4435 BN2 Fe ≤ 0.5
- ◆ Casting the body: 1.4404/316L/ASTM A351 CF3M
- ◆ Connection: welding, clamp, flange, thread

电动调节隔膜阀

Electric adjustment diaphragm valves



智能型电动执行器
该执行器是一款直行程运动，具有PID控制算法的一款智能电动执行器，它可以在断电时自动返回至设定好的安全位置。同时具有光学传感器检测人体或物体感应实现阀门开启和关闭功能。满足于所有规格的隔膜阀。

技术特点:

- ◆ LCD显示 中、英文菜单
- ◆ 单键自整定
- ◆ 支持手动操作
- ◆ 输入 0/4-20mA
- ◆ 输出 0/4-20mA
- ◆ 总线通讯 mode bus rs485
- ◆ 断电时自动复位至安全位置
- ◆ 人体感应 自动开启和关闭功能
- ◆ 电源 DC24V ± 10%



Intelligent electric actuator
The actuator is a linear stroke movement, with PID control algorithm, which automatically returns to safe position which had be set before once power outage. Also has an optical sensor to detect a person or object induction to achieve valve opening and closing function. Meet all sizes of the diaphragm

Features:

- ◆ LCD with a Chinese, English menu
- ◆ Single button auto-tuning
- ◆ Support manual operation
- ◆ Input 0 / 4-20mA
- ◆ Output 0 / 4-20mA
- ◆ Bus communication mode bus rs485
- ◆ Automatically return to safe position which had be set before once power outage
- ◆ The human body sensors to automatically open and close
- ◆ Power supply DC24V ± 10%



电动调节隔膜阀

Electric adjustment diaphragm valves



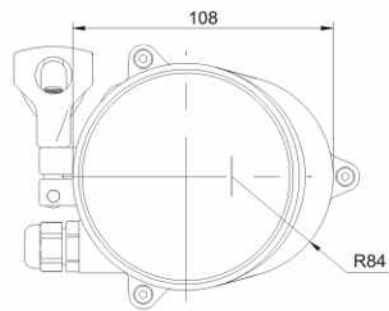
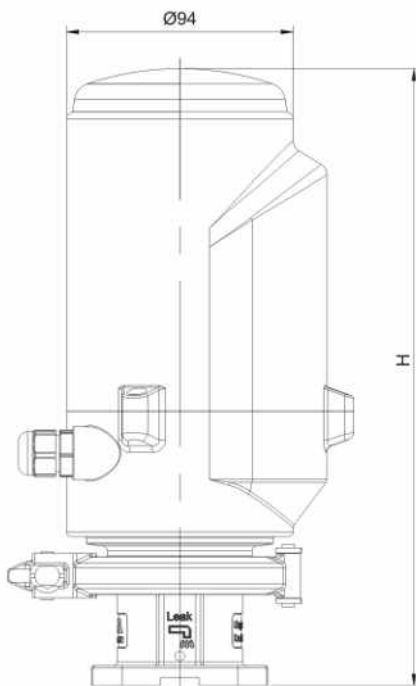
电动隔膜阀 Electric diaphragm valve

技术特点:

- ◆ LCD显示中, 英文菜单
- ◆ 单键自整定
- ◆ 支持手动操作
- ◆ 输入 0/4-20mA
- ◆ 输出 0/4-20mA
- ◆ 总线通讯 mode bus rs485
- ◆ 断电时自动复位至安全位置
- ◆ 人体感应自动开启和关闭功能
- ◆ 电源 DC24V ± 10%

Technical Features:

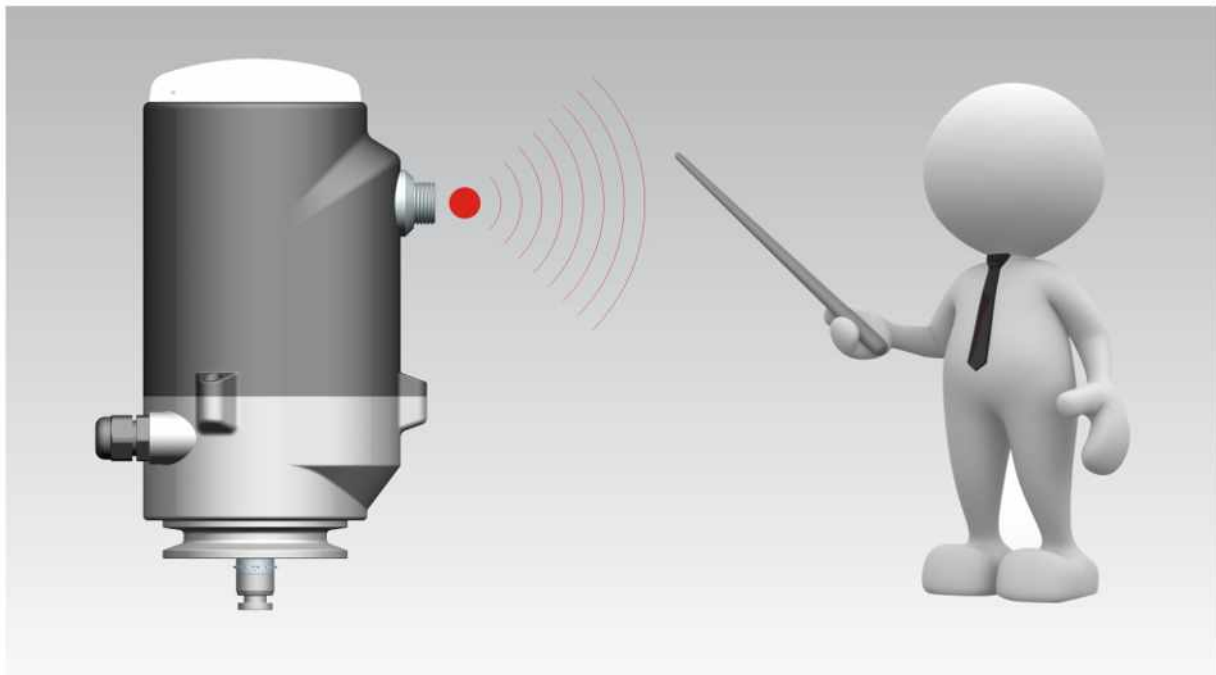
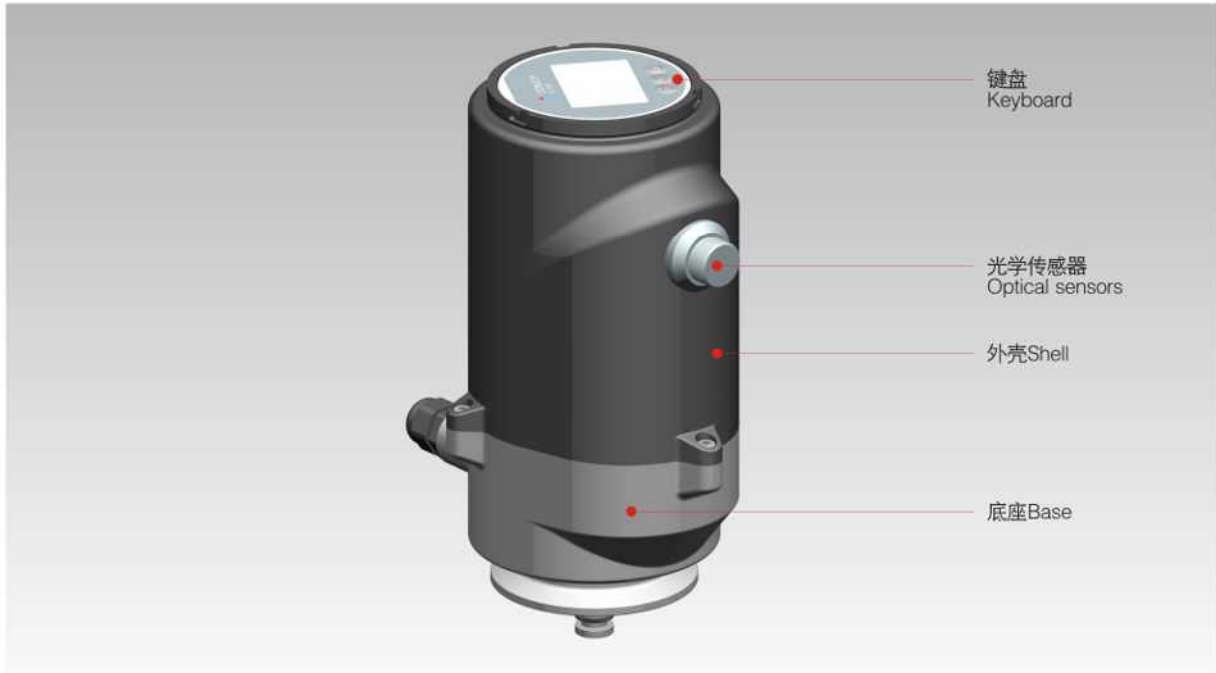
- ◆ LCD with a Chinese, English menu
- ◆ Single button auto-tuning
- ◆ Support manual operation
- ◆ Input 0 / 4-20mA
- ◆ Output 0 / 4-20mA
- ◆ Bus communication mode bus rs485
- ◆ Automatically return to safe position which had be set before once power outage
- ◆ The human body sensors to automatically open and close
- ◆ Power supply DC24V ± 10%



SIZE	H
1"/DN25	256
1.25"/DN32	266
1.5"/DN40	266
2"/DN50	272
2.5"/DN65	272
3"/DN80	272
4"/DN100	290

电动调节隔膜阀

Electric adjustment diaphragm valves



迷你型隔膜阀-非常灵活的各种组合

Mini-type diaphragm valve-Flexible various combinations

DONJOY创新设计 专利保护

执行机构
Actuator



不锈钢手动 Stainless steel hand wheel



塑料手动 Plastic hand wheel



手动阀盖 Manual valve cover



多功能双工位气动执行器
Multifunctional double-station
pneumatic actuator



不锈钢执行器
Stainless steel actuator



塑料执行器
Plastic actuator



不锈钢执行器
Stainless steel actuator

膜片
Gasket



PTFE+EPDM



EPDM / FPM

阀体
Body



适用规格: DN6-DN20, 1/4"-3/4"
Applicable specifications: DN6-DN20, 1/4"-3/4"

迷你型隔膜阀

Mini-type diaphragm valve



不锈钢气动隔膜阀
Stainless steel pneumatic diaphragm valve



不锈钢气动隔膜阀
Stainless steel pneumatic diaphragm valve

迷你型气动隔膜阀

- ◆ SIZE: 1/4" - 3/4", DN6 - DN15
- ◆ 最高温度: -30到150°C(双层膜片 EPDM+PTFE)
- ◆ 最高温度: -30到130°C(单层橡胶膜片EPDM)
(其他材质, 满足更高温度)
- ◆ 最高压力: 单向(DELTA P=100%)
常闭橡胶8bar, PTFE 6bar(选项)
常闭橡胶6bar, PTFE 4.5bar(标准)
常开和双作用橡胶8bar, PTFE 6bar
- ◆ 换装不同的执行器可以满足更高压力等级
- ◆ 锻造阀体: 1.4404/316L ASME BPE/1.4435 Nb2 Fe < 0.5%
- ◆ 铸造阀体: 1.4404/316L
- ◆ 连接方式: 焊接、卡箍、法兰、螺纹
- ◆ 气动执行器适用于阀体: 直通、三通、多通道阀体、焊接组合阀体、罐底阀

Mini-type pneumatic diaphragm valve

- ◆ SIZE: 1/4" - 3/4", DN6 - DN15
- ◆ Max temperature: - 30 to 150 °C (depending on diaphragm) (stainless steel actuator)
- ◆ Max temperature: - 30 to 130 °C (depending on diaphragm) (plastic actuator)
- ◆ Max pressure: one way (DELTA P = 100%)
Normally close EPDM 8 bar, PTFE 6 bar (option)
Normally close EPDM 6 bar, PTFE 4.5 bar (standard)
Normally open and double action EPDM 8 bar, PTFE 6 bar
- ◆ Assemble different actuators can meet the higher pressure rating
- ◆ Forging body: 1.4404/316 L ASME BPE/1.4435 Nb2 Fe < 0.5%
- ◆ Casting body: 1.4404/316 L
- ◆ Connection: welding, clamp, flange, thread
- ◆ Pneumatic actuator suitable for body: straight, tee, multichannel body, welding combination valve, tank bottom valve



塑料气动隔膜阀
Plastic pneumatic diaphragm valve



不锈钢/塑料手轮隔膜阀
Diaphragm Valve with Stainless Steel/Plastic Hand Wheel

迷你多功能罐装隔膜阀

Mini multi-function canned diaphragm valve

技术特点 Technical characteristics

具有高效率、高精度罐装，物料零溢出，超长寿命(压力2bar高达800万次)，流量可调节，双工位气缸设计。

Zero overflow with high efficiency and high precision canning, materials, long life (2 bar pressure up to 8 million times), flow adjustable, double cylinder design.

SIZE: DN6–DN15, 1/4"–3/4"

材质: ASME BPE 316L, 1.4404

1.4435 NB2 Fe < 0.5%

阀体: 直通、三通、多通、U型三通、卡箍、焊接、螺纹、法兰等
执行标准: DIN11866 DIN11850, ASME BPE ASME A269

SIZE: DN6 – DN15, 1/4 "– 3/4"

Material: 316 | ASME BPE, 1.4404

1.4435 NB2 Fe < 0.5%

The body straight, tee, communication, u-shaped tee, clamp, welding, thread, flange, etc

Execution standard: DIN11866 DIN11850, ASME BPE ASME A269



工作原理 Working principle

该隔膜阀具有双工位气缸，流量可调式的灌装阀门。

对于要求快速灌装且杜绝物料外溢或溅出灌装瓶。

1#气缸工作时流量为最大；

2#气缸工作时流量为最小，也可通过流量调节装置，调节2#气缸工作时的流量。

The diaphragm valve has a double location cylinder, flow adjustable filling valve. For rapid filling and prevent spillover or spatter material filling bottles.

1 # cylinder work flow as the largest;

2 # cylinder work flow to a minimum, also can through flow control device, regulating the flow of 2 # cylinder at work.

建议设置 Suggest setting

1#气缸开启液体灌装至70%—80%液位时关闭，2#气缸开启灌装至合理的液位。

1 # open cylinder filling liquid level to 70% – 80% when closed, open 2 # cylinder filling to a reasonable level.



迷你型隔膜阀

Mini-type diaphragm valve



三通隔膜阀
Tee Diaphragm Valve

迷你型隔膜阀

Mini-type diaphragm valve

- ◆ SIZE: 1/4" - 3/4"
- ◆ 最高温度: -30到150°C(取决于膜片)
- ◆ 最高压力: 10bar/146PSI
- ◆ 手动适用于阀体: T型三通/L型三通/直通/多通道
- ◆ SIZE: 1/4" - 3/4"
- ◆ Max temperature: - 30 to 150 °C (depending on diaphragm)
- ◆ Max pressure: 10 bar / 146 psi
- ◆ Manual applies to body: T port/L port/direct-way/multiport



多通隔膜阀
4个通道, 3个控制阀
Multiport Diaphragm Valve
Four ports, three control valves



三通隔膜阀
Tee Diaphragm Valve



三通隔膜阀
3个通道, 2个控制阀
Tee Diaphragm Valve
Three ports, two control valves



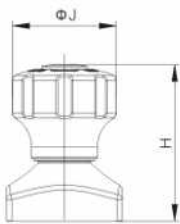
U型三通隔膜阀
U Type Tee
Diaphragm Valve

迷你型隔膜阀

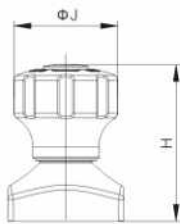
Mini-type diaphragm valve



微型执行机构Micro actuators



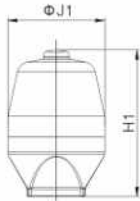
塑料手动
Plastic Hand Wheel
NO.MINI-VGM0S2



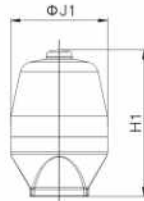
不锈钢手动
Stainless Steel Hand Wheel
NO.MINI-VGM0S1



气动双工位气动(灌装阀)
Pneumatic double location (filling valve)
NO.MINI-VGM0Q3



塑料气动
Plastic Actuator
NO.MINI-VGM0Q2



不锈钢气动
Stainless Steel Actuator
NO.MINI-VGM0Q1



不锈钢气动-2015款
Stainless Steel Actuator
NO.MINI-VGM0Q4

DIN32676/DIN11850-1/2

SIZE	J	J1	J2	J3	H	H1	H2	H3
DN6	38	60	54	60	57	104	116	118
DN8	38	60	54	60	57	104	116	118
DN10	38	60	54	60	57	104	116	118
DN15	38	60	54	60	57	104	116	118

ASME BPE/ASTM 269

SIZE	J	J1	J2	J3
1/4"	38	60	54	60
3/8"	38	60	54	60
1/2"	38	60	54	60
3/4"	38	60	54	60

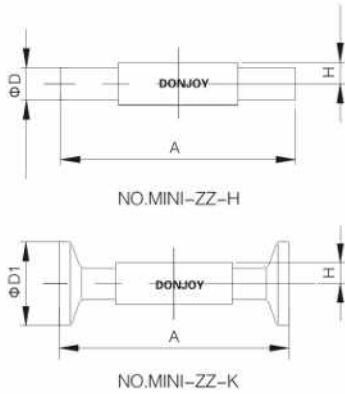
SIZE	H	H1	H2	H3
1/4"	57	104	116	118
3/8"	57	104	116	118
1/2"	57	104	116	118
3/4"	57	104	116	118

迷你型隔膜阀

Mini-type diaphragm valve

微型阀体Tiny body

直通阀体 腔体比值 $\leq 3D$



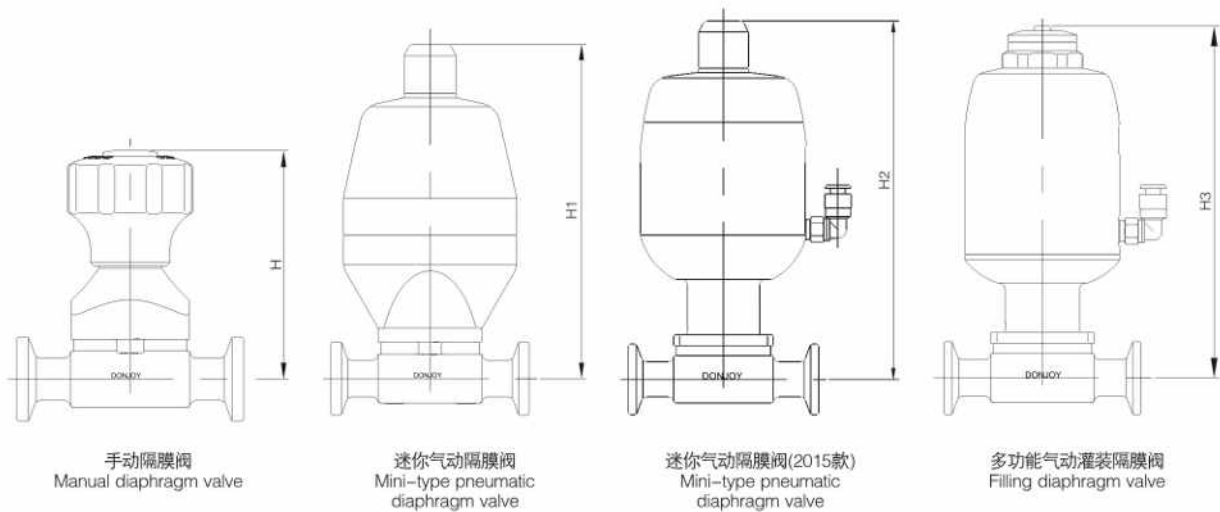
DIN32676/DIN11850-1/2

SIZE	D	D1	A	H
DN6	8	25.4/34	68.6	5.5
DN8	10	25.4/34	68.6	7
DN10	12/13	25.4/34	68.6	8.5
DN15	18/19	25.4/34	85	12

ASME BPE/ASTM 269

SIZE	D	D1	A	H
1/4"	6.35	25.4	68.6	5.5
3/8"	9.5	25.4	68.6	7
1/2"	12.7	25.4	68.6	8.5
3/4"	19	25.4/50.5	85	12

迷你隔膜阀 Mini diaphragm valve



SIZE		H	H1	H2	H3
1/4"	DN6	69	116	130	128
3/8"	DN8	69	116	130	130
1/2"	DN10	69	116	130	128
3/4"	DN15	72	119	133	130

阀体组合多通道隔膜阀 Multi-Port diaphragm valve combination

主阀定位不同的两种焊接组合

◆GMP阀门

主要运用在高纯水或其它分配系统的用水点垂直管路上，可有效减少管路死角。其中一个阀水平放置，并保持一定自排空角度，另一个阀是主阀，垂直放置，当该阀打开时，其出口就是一个没有细菌滋生或受工艺交叉感染的取样口。

◆SAP阀门

主要运用在水平管路系统中，其中主阀水平放置，并保持一定的自排空角度，通路孔在主阀水路最低的排放点上。

Different welding combinations of host valve

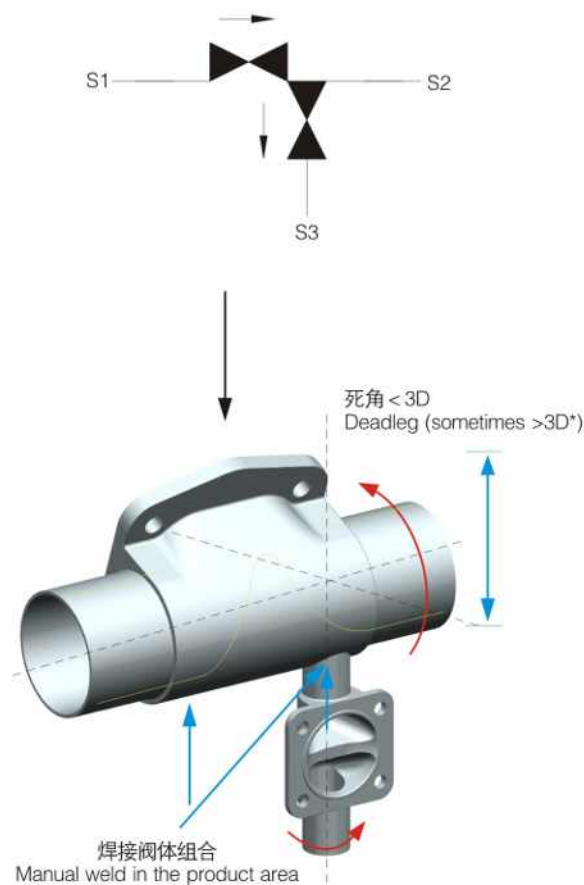
◆GMP valve

Mainly used in high pure water or other distribution system of water point vertical tube road, which can effectively reduce pipeline deadleg. One of the valve placed in a vertical position the export is a no bacterial breeding or process cross infection sample mouth when the valve open.

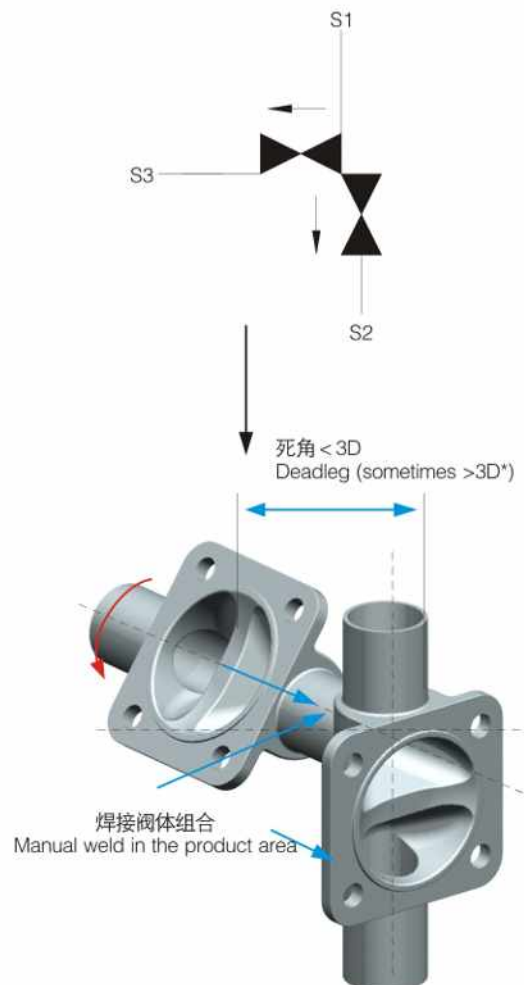
◆SAP valve

Mainly used in a horizontal pipeline system, host valve placed in a horizontal position, and maintain a certain self-emptying angle, the passage hole in the lowest discharge point of the host valve waterway.

SAP系统配置 SAP configuration



GMP系统配置 GMP configuration



多通道阀门 Multi-port valves



各种组合隔膜阀 Various combinations diaphragm valve

GMP结构 GMP structure



SAP结构 SAP structure



隔膜阀阀阵系统
Diaphragm valve array system





使用多通道隔膜阀的价值和意义

Value and significance of using multiport diaphragm valve

什么是多通道隔膜阀

多通道隔膜阀是由一整块不锈钢材料加工制作而成的，最少加工成3个通道，最多可加工35个通道的和加装20个执行机构的阀门，若加工成数量更多的通道，主要取决于阀体加工的可行性。在卫生领域，多通道隔膜阀的选用和规范是非常重要的，原因在于多通道阀在优化卫生工艺的高纯净和提高产品的生产效率方面具有很大的优势。

What is the multiport diaphragm valve

Multiport diaphragm valve is made of a whole piece of stainless steel, at least processed into Three channel, most can be processed 35 channel and add 20 actuator valve, if Processed into quantity more channels, mainly depends on the feasibility of the valve processing. In health brought Domain, multiport diaphragm valve selection and standard is very important, the reason is that many channel Valve in optimizing health process of high purity and improve the production efficiency has a lot of Advantage.

多通隔膜阀的主要特点

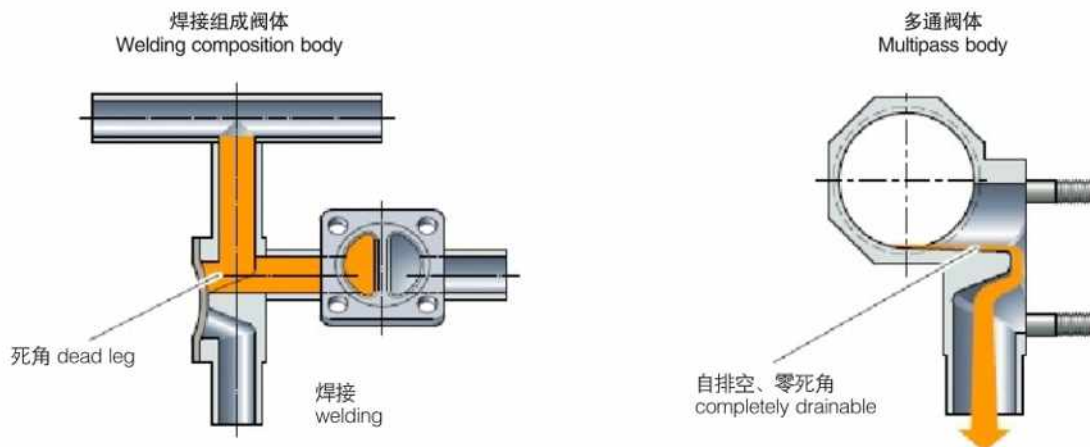
面向客户特殊需求的设计
结构紧凑，狭小的安装空间
多个不同的通径的组合
最优化的自排空功能
零死角
减少接触面积、防止介质滞留、防止交叉感染
省去接头、管道焊接
减少所需阀门的各种资质认证
可根据客户任意选择执行机构和连接方式

Multiport diaphragm valve key features

Facing the customers' special needs of the design
The structure is compact, small installation space
Different size can be combination
Optimization of the self emptying function
Zero dead Angle
Reduce the contact area, prevent medium retention, and cross infection
Save joint, pipe welding
Reduce the need for valve various qualification certification
According customers' requirement to choose actuator and connections

下图显示是多通阀体和焊接组合阀体死角对比

The following figure display is contrast between more general body and welding combination body dead leg



多通道隔膜阀

Multiport diaphragm valve

M-65A

多通道隔膜阀是目前最先进的设计理念为满足生物制药高洁净要求的解决方案。传统焊接组成的阀阵系统安装非常的复杂，实施的工期很长，而且会占用很大的空间，安装和焊接工作验证费用相当高。

Multiport diaphragm valve is the most progressive design for meeting the ultra clean in pharmacy industry. Traditional welding manifold valve is compicats and with long assembly time, large space occupied and expensive cost on inspection.

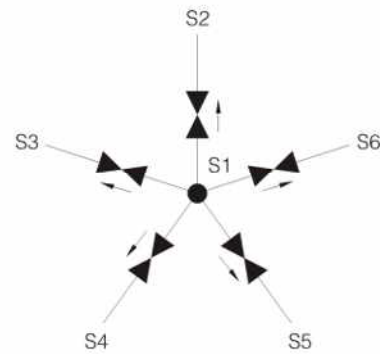
M-65A型) 星形设计	Type M-65A) star design
5个阀门, 6个通道	Five valve, six ports
5个阀门垂直放置	Five valve vertical place



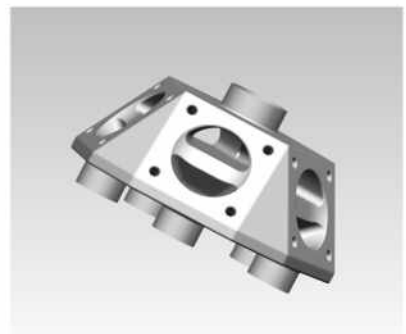
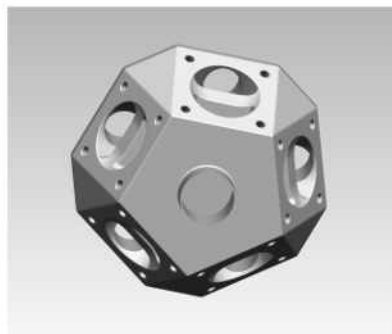
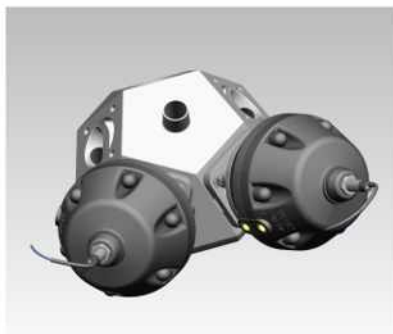
安装建议 Installation suggestion

根据通径大小不同，星形设计最多可达7个阀门，另外星形设计也可有两个对置的多通道阀门组成，他们之间通过公共管相连接。

According to different size, star design can almost be seven valve, besides star design can consist of two opposed multiport valve, they are connected by public pipe.



M-65A型Type



多通道隔膜阀

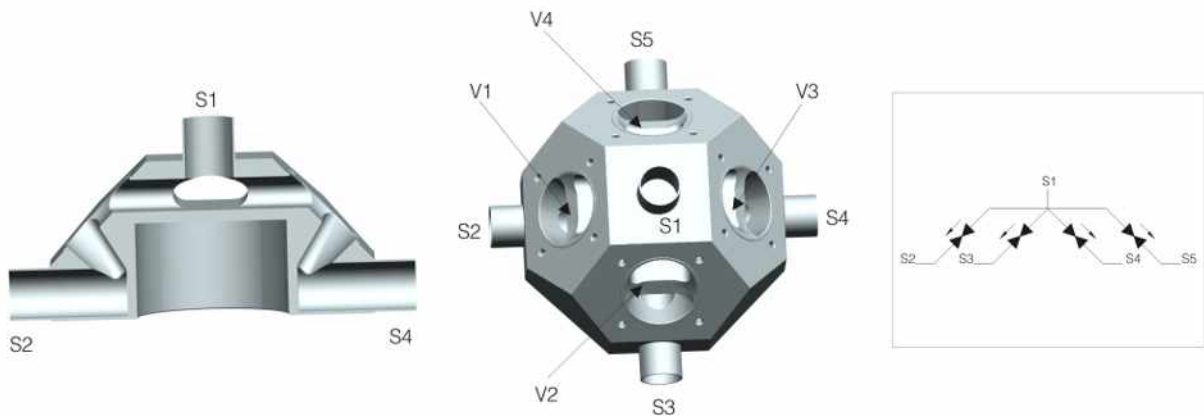
Multiport diaphragm valve

M-54A

无菌阀块由不锈钢制成的块料，应用，例如，作为阀阵系统或分配器
Sterile valve block is made of stainless steel block, application, for example, as a collector or distributor.

安装位置 Mounting position

接口S1垂直排列向上或向下
Spigot S1 aligned vertically up or down

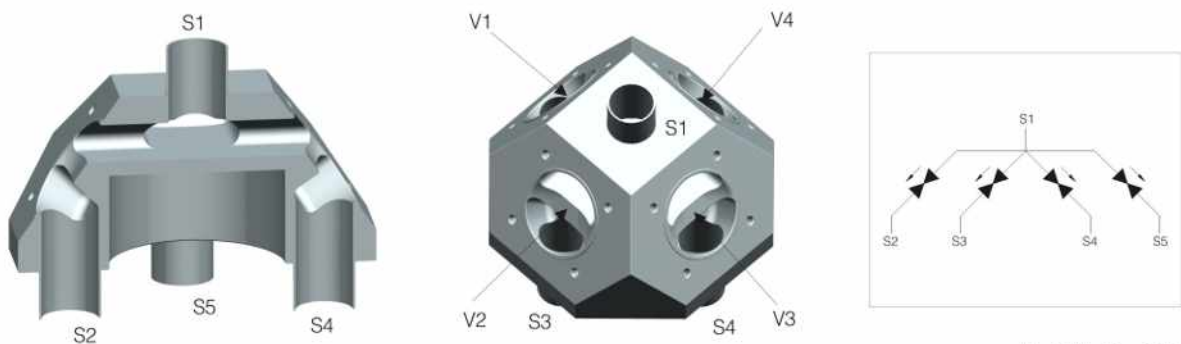


M-54B

由不锈钢制成的块料，应用，例如无菌阀块，作为阀阵系统或分配器
Sterile valve block is made of stainless steel block, application, for example, as a collector or distributor

安装位置 Mounting position

接口S1垂直排列向上或向下
Spigot S1 aligned vertically up or down



H=水平, V=垂直
H=horizontal, V=vertical

多通道隔膜阀 Multiport diaphragm valve

M-53A



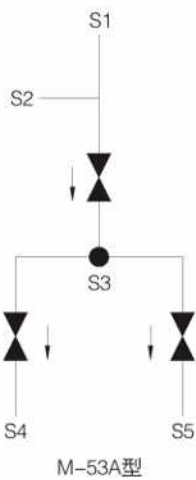
多通道隔膜阀

Multiport diaphragm valve

M-53A

M-53A型) 多通道隔膜阀
 3个控制阀, 5个通道
 1个用水点阀座
 2个一体式闭环取样阀阀座
 建议S1口朝上安装

Type M-53A) multiport diaphragm valve
 Three control valve, 5 port
 A water point seat
 Two integrated closed-loop sampling valve seat
 Suggest S1 up installation



一个复杂的设计由下面WFI循环阀来表示。

功能：冷凝水出口，纯蒸汽供应和采样都集成在一个紧凑的设计。

A more complex version is represented by the following WFI loop valve.

Function: condensate outlet, pure steam supply and sampling are integrated in a compact block.

组合焊接设计

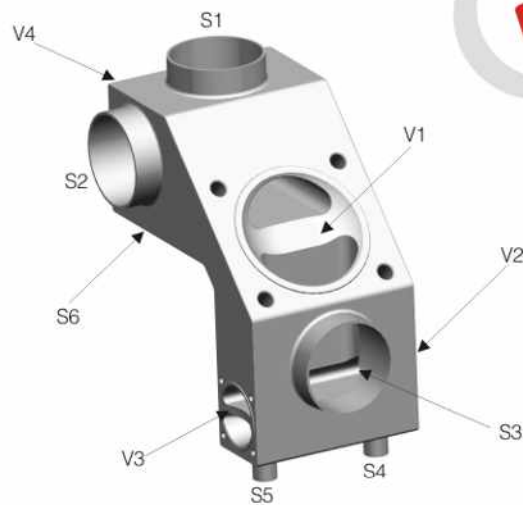
死角 $\leq 3D$

Combination design of welding
 Dead angle $\leq 3D$



最小死角设计

Dead Angle Minimum Design



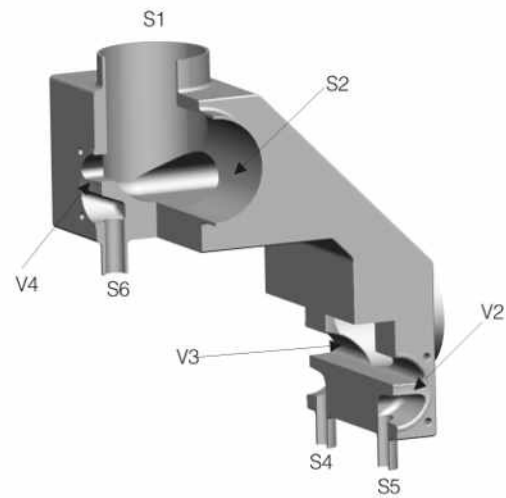
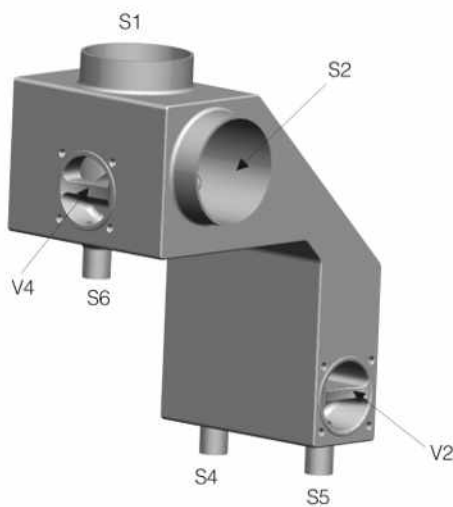
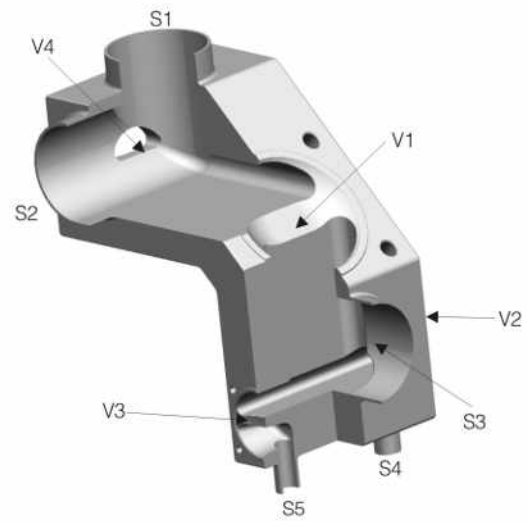
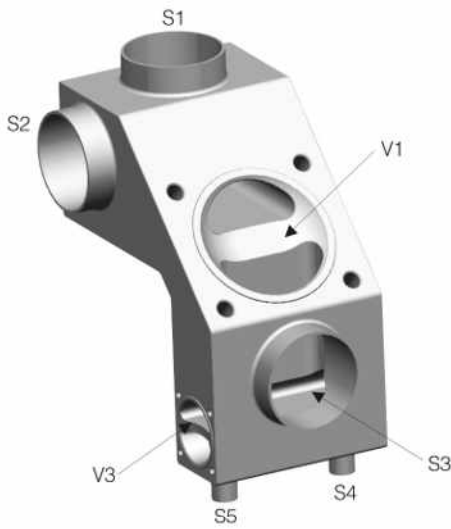
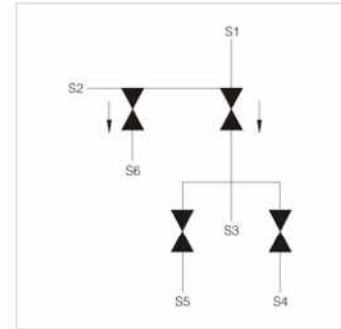
多通道隔膜阀

Multiport diaphragm valve

M-64A

无菌阀块与多个通道由不锈钢制成的阀座，
 多功能模块：使用点注射用水，取样，冷凝水排水管，连接灌装成较大的器皿，
 排水，无菌蒸汽供应SIP。

Sterile valve block and ports are made of stainless steel block,
 multi-function block with several integrated applications:
 point of use WFI, sampling, condensate drain, filling into larger vessels, draining,
 sterile steam supply for SIP.



H=水平, V=垂直
 H=horizontal, V=vertical

多通道隔膜阀
Multiport diaphragm valve

M-32A



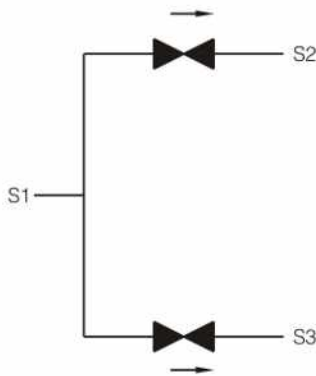
多通道隔膜阀

Multiport diaphragm valve

M-32A

M-32A型) 多通道隔膜阀
2个控制阀, 3个通道
三通换向阀
S1口建议朝上安装

Type M-32A) multiport diaphragm valve
Two control valve, 3 port
Three-way divert seat valve
S1 suggested up installation



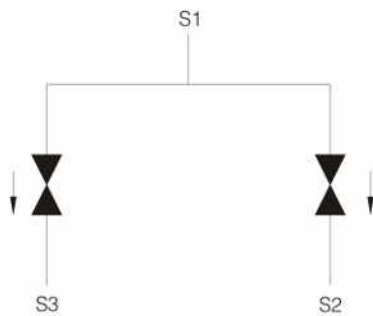
M-32A型Type



M-32B

M-32B) 型多通道隔膜阀
2个控制阀3个通道
S1接口建议安装朝上

Type M-32B) multiport diaphragm valve
Two control valve 3 port
Suggest S1 up installation



M-32B型Type



多通道隔膜阀

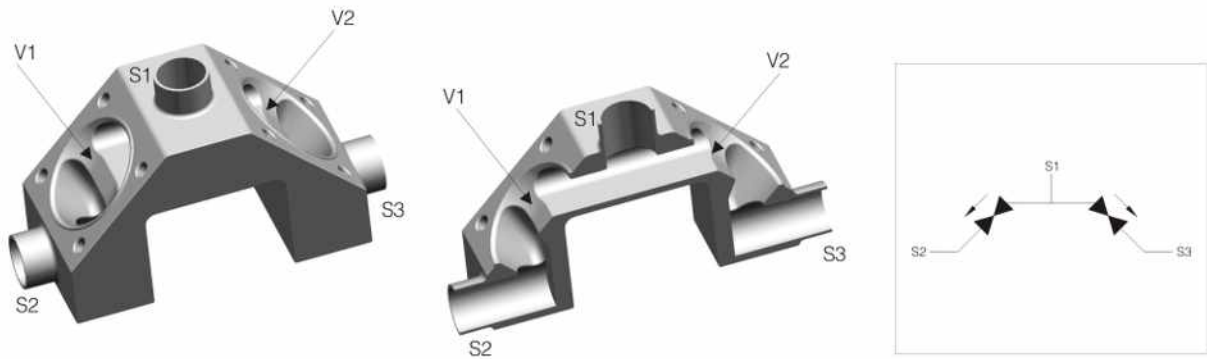
Multiport diaphragm valve

M-32F

无菌阀块由不锈钢制成的块料，应用于无菌阀阵系统上，较为理想的选择。
Sterile valve block is made of stainless steel block, as the ideal choice used in aseptic valve array system.

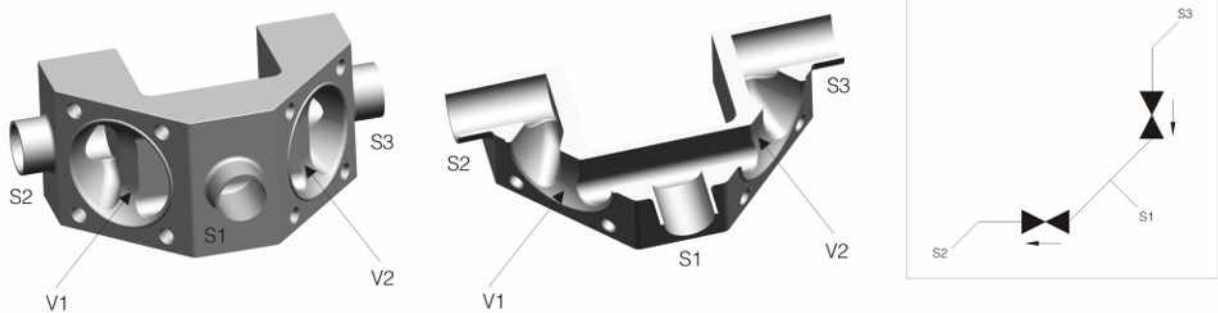
安装位置 Mounting position

接口S1垂直排列向上或向下
Spigot S1 aligned vertically up or down
3个通道，2个阀门
Three ports, two valves



可选安装位置 Alternative mounting position

所有套管水平对齐
All spigots aligned horizontally
3个通道，2个阀门
Three ports, two valves



H=水平, V=垂直
H=horizontal, V=vertical

多通道隔膜阀

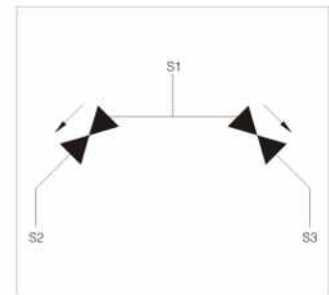
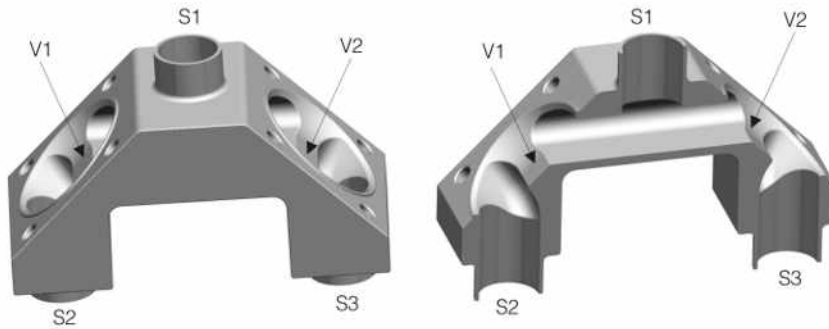
Multiport diaphragm valve

M-32G

由不锈钢制成的块体材料的无菌阀块，应用于无菌阀阵系统中。
Sterile valve block is made of stainless steel bulk materials, the valve array used in a sterile system.

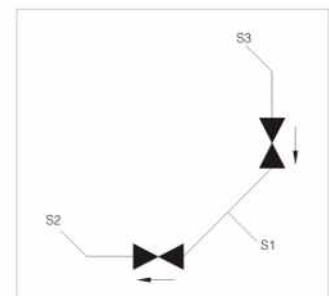
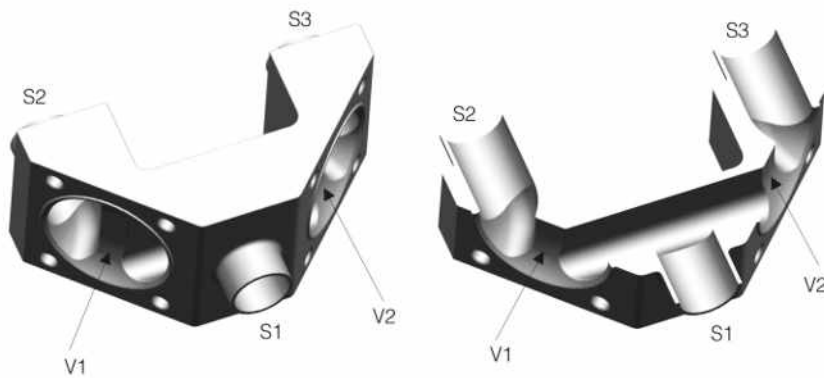
安装位置 Mounting position

接口S1垂直排列向上或向下
Spigot S1 aligned vertically up or down
3个通道，2个阀门
Three ports, two valves



可选安装位置 Alternative mounting position

所有接口水平对齐
All spigots aligned horizontally
3个通道，2个阀门
Three ports, two valves



H=水平, V=垂直
H=horizontal, V=vertical

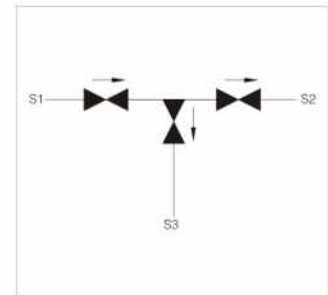
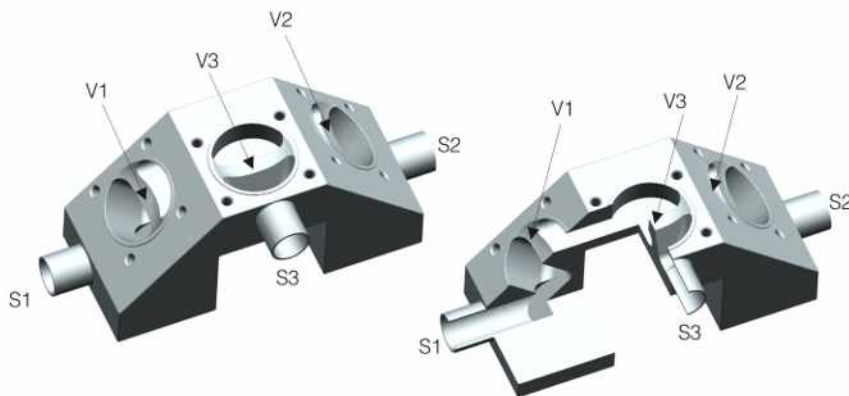
多通道隔膜阀

Multiport diaphragm valve

由不锈钢制成的块料，应用，例如无菌阀块，一个块和 - 排放阀。
Sterile valve block is made of stainless steel block, application, for example, as a block-and-bleed valve.

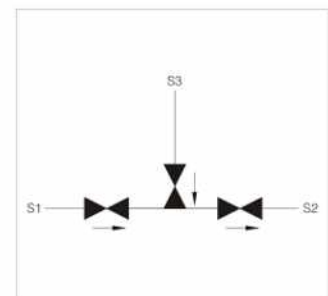
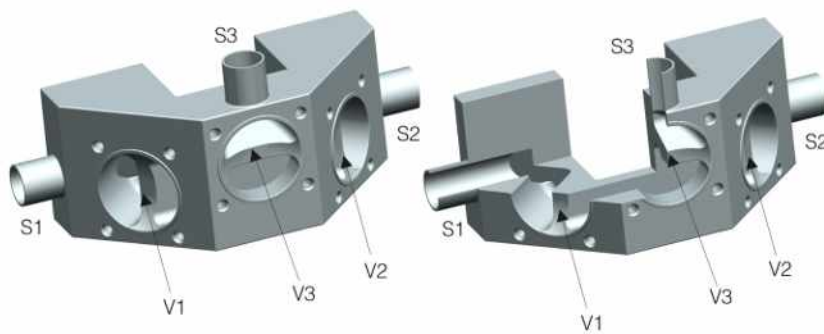
M-33A

3个通道，3个阀门
Three ports, three valves



M-33B

3个通道，3个阀门
Three ports, three valves



H=水平, V=垂直
H=horizontal, V=vertical

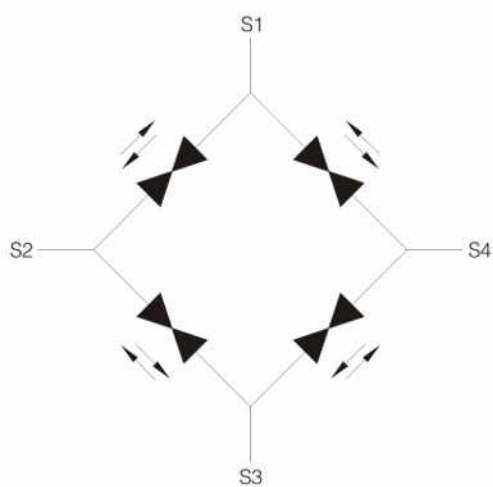
多通道隔膜阀

Multiport diaphragm valve

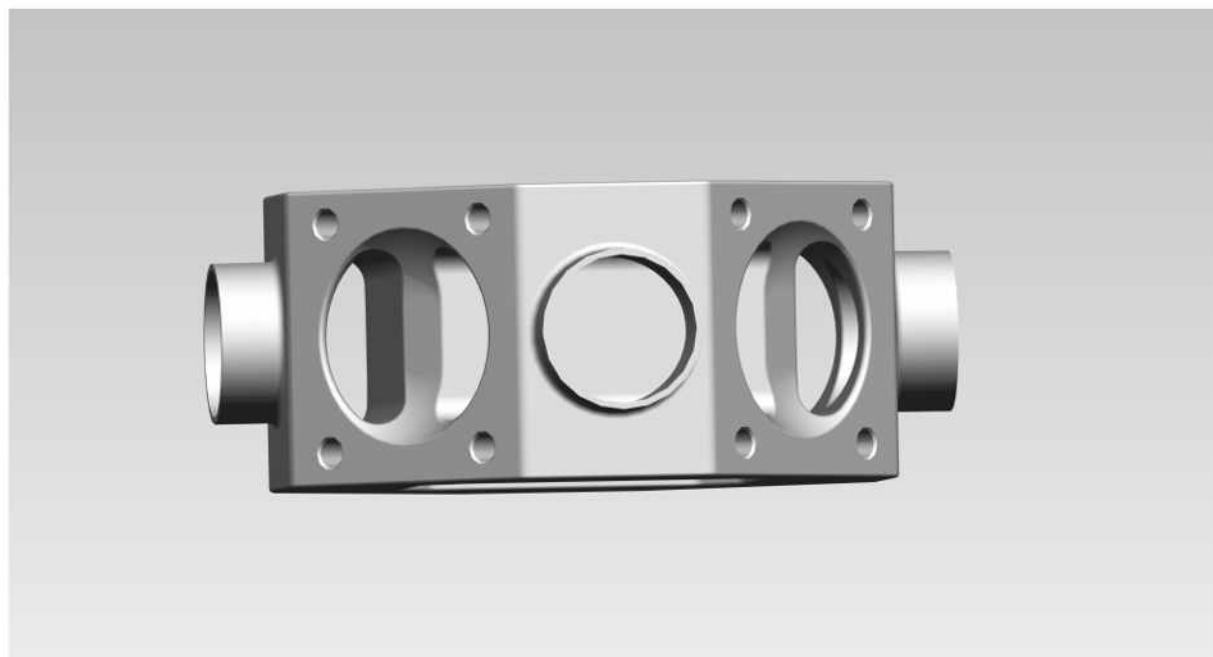
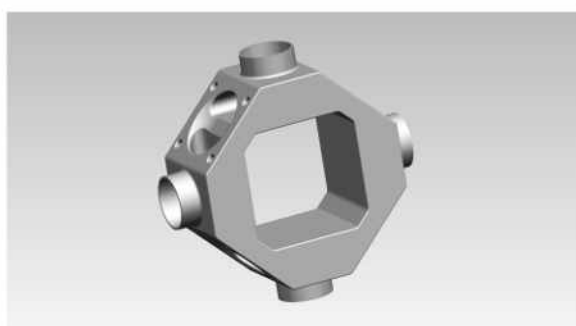
M-44A

M-44A型) 多通道隔膜阀
4个控制4个通道
S2和S4建议水平安装
S1和S3建议垂直安装
该阀门进出口无方向性

Type M-44A) multiport diaphragm valve
4 control valve, 4 port
S2 and S4 horizontal installation
S1 and S3 vertical installation
Non-directional import and output



M-44A型Type



多通道隔膜阀

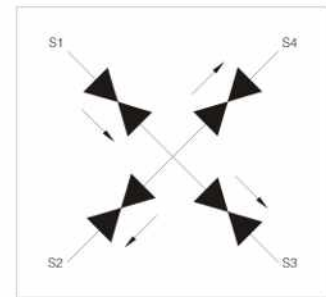
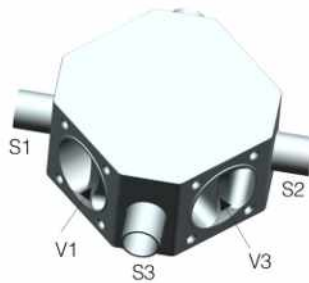
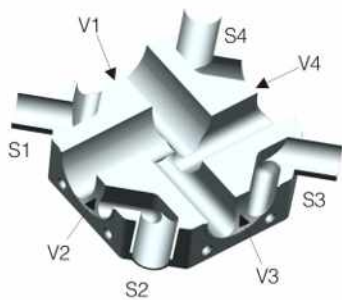
Multiport diaphragm valve

M-44C

无菌阀块由不锈钢制成的块料，应用，例如，作为一个分配器或收集器。
Sterile valve block is made of stainless steel block, application, for example, as a distributor or collector.

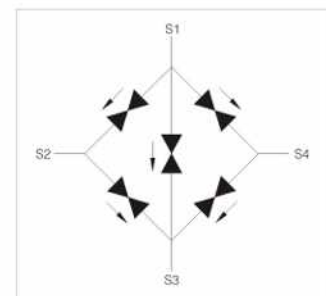
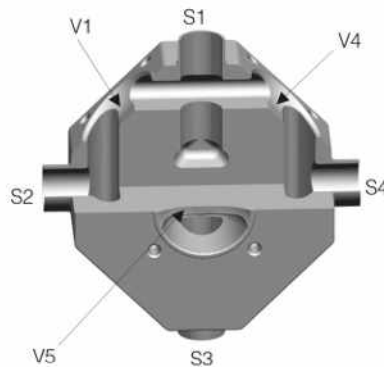
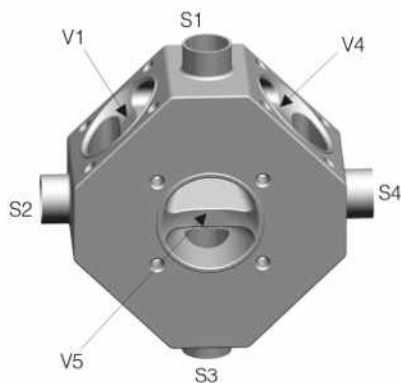
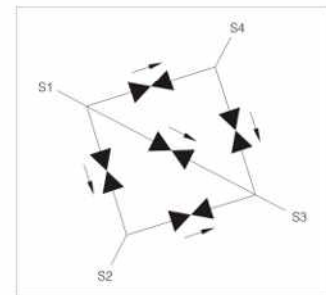
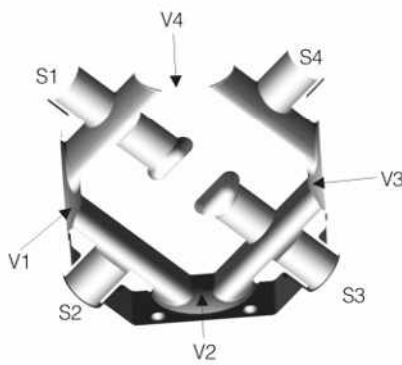
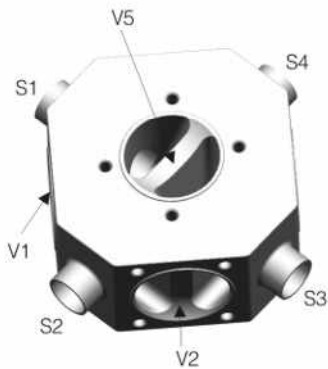
可选安装位置 Alternative mounting position

所有接口水平对齐
All spigots aligned horizontally



M-45A

无菌阀块由不锈钢制成的块料，应用，例如，作为色谱块，进行，转移和交换。
Sterile valve block is made of stainless steel block, application, for example, as a chromatography block, conducting, diverting and switching.



H=水平, V=垂直
H=horizontal, V=vertical

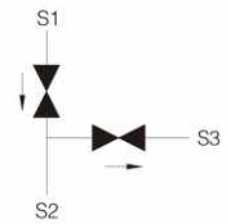
多通道隔膜阀
Multiport diaphragm valve



M-32E

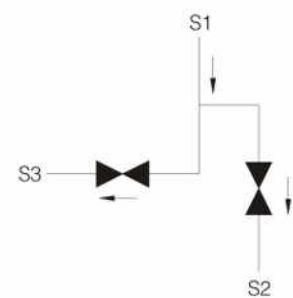
多通道隔膜阀 Multiport diaphragm valve

M-32D



M-32D型Type
3个通道, 2个阀门
Three ports, two valves

M-32E



M-32E型Type
3个通道, 2个阀门
Three ports, two valves

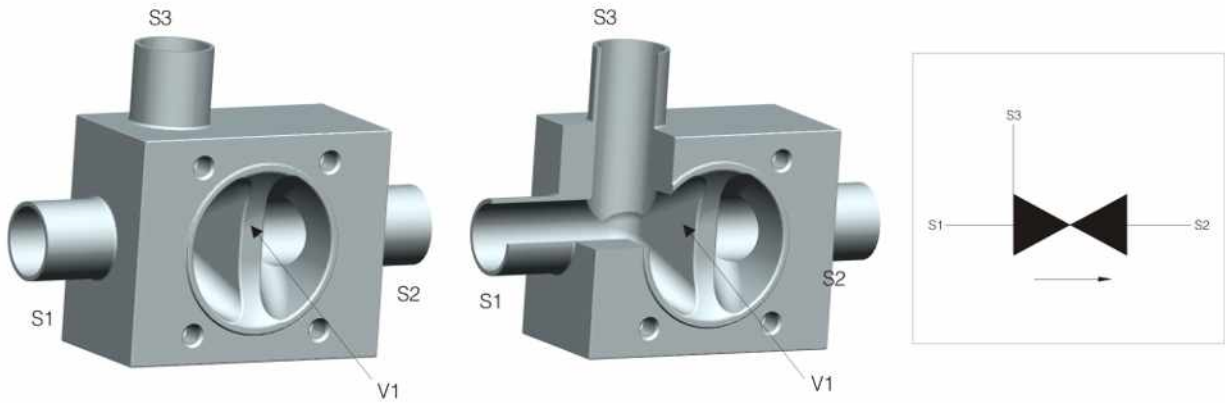
多通道隔膜阀

Multiport diaphragm valve

由不锈钢制成的块料，应用，例如，作为分支无菌阀块，取样阀 在两个介质环。
 Sterile valve block is made of stainless steel block, application, for example, as a branch, sampling valve or insulation between two media rings.

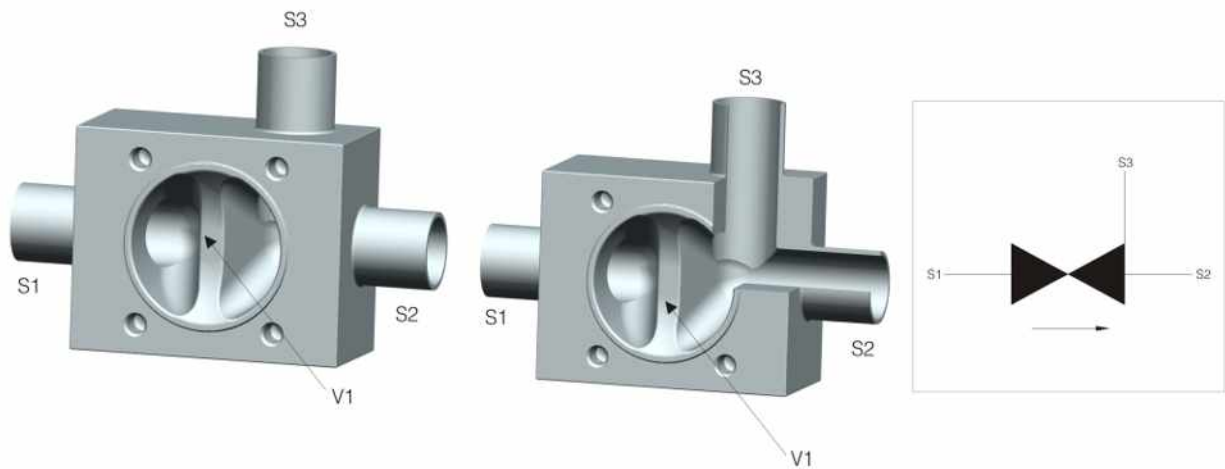
M-31A

3个通道，1个阀门
 Three ports, one valve



M-31B

3个通道，1个阀门
 Three ports, one valve



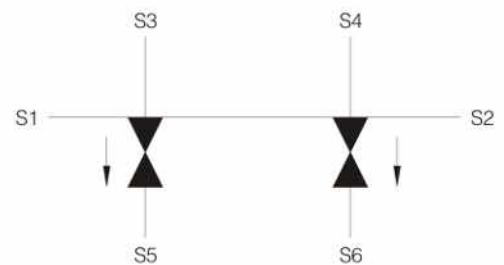
H=水平, V=垂直
 H=horizontal, V=vertical

多通道隔膜阀 Multiport diaphragm valve



M-62A

6个通道，2个控制阀
Six ports, two control valves



M-62A型Type

多通道隔膜阀

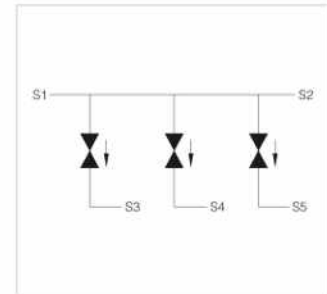
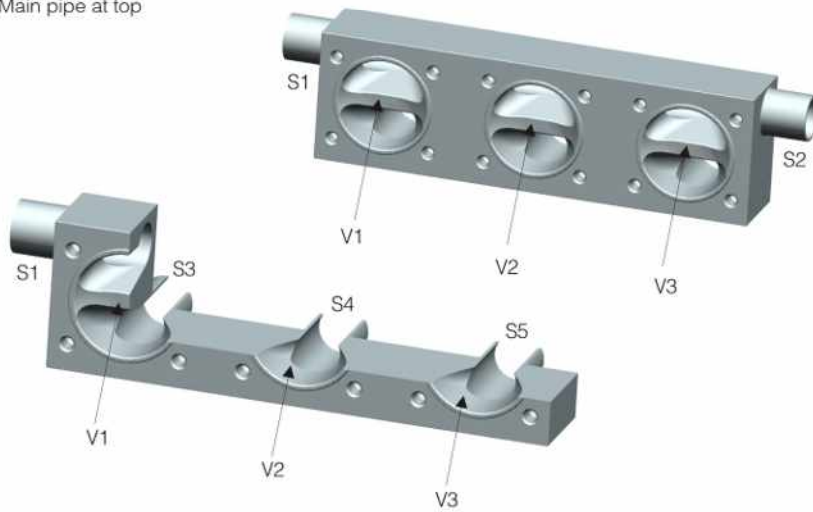
Multiport diaphragm valve

M-53A

5个通道, 3个阀门
Five ports, Three valves

安装位置 Mounting position

主管顶部
Main pipe at top

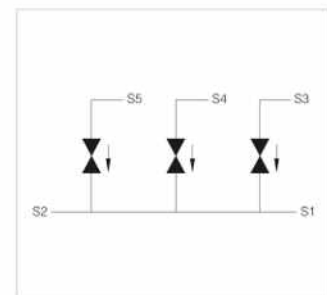
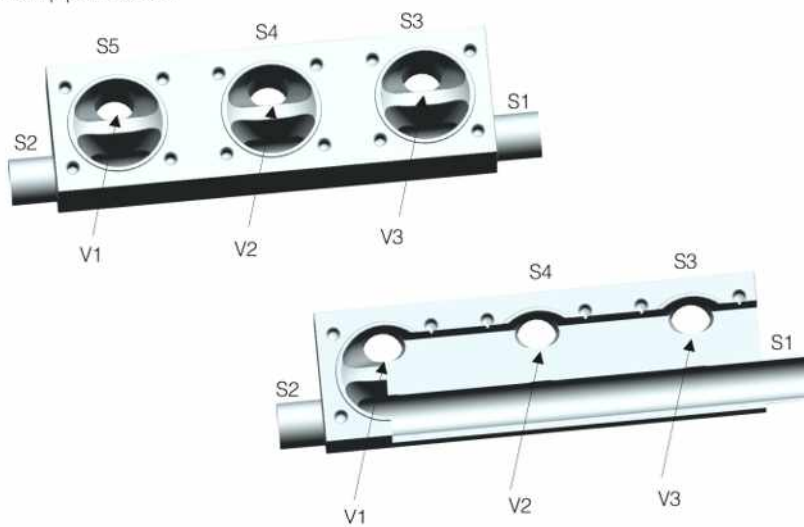


M-53B

5个通道, 3个阀门
Five ports, Three valves

可选安装位置 Alternative mounting position

主管底部
Main pipe at bottom



H=水平, V=垂直
H=horizontal, V=vertical

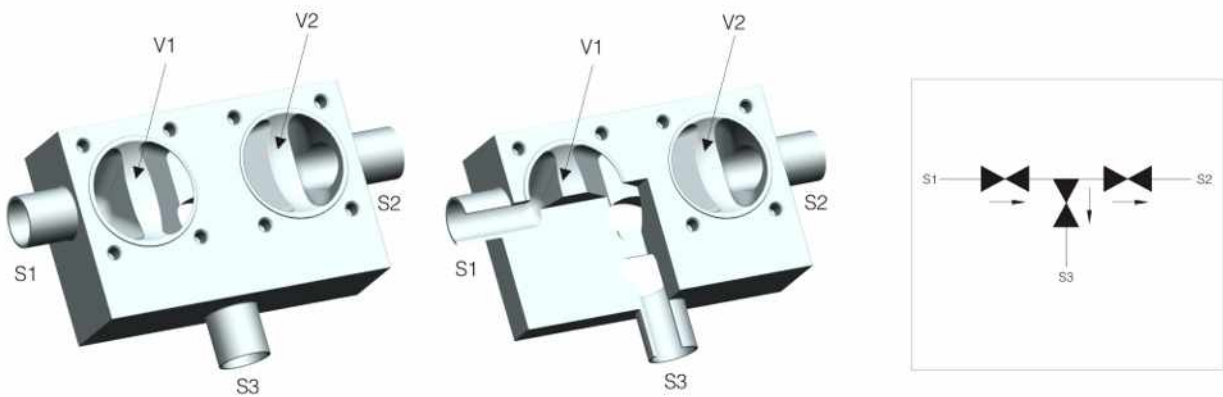
多通道隔膜阀

Multiport diaphragm valve

由不锈钢制成的块料，应用，例如无菌阀块，一个块和 - 排放阀。
Sterile valve block is made of stainless steel block, application, for example, as a block-and-bleed valve.

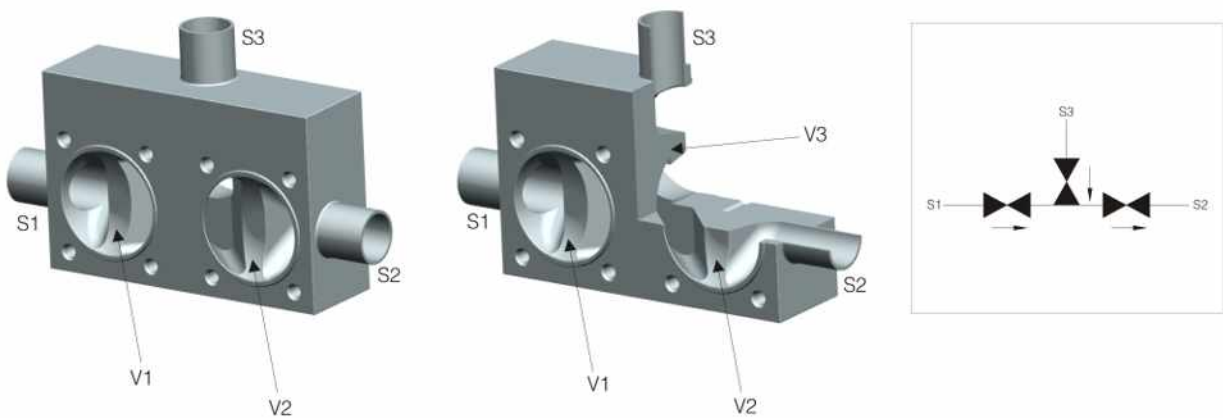
M-33C

3个通道，3个阀门
Three ports, Three valves



M-33D

3个通道，3个阀门
Three ports, Three valves



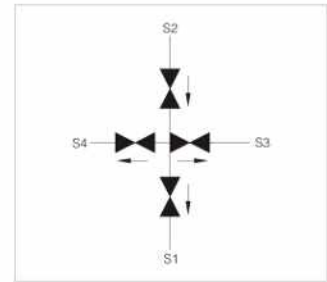
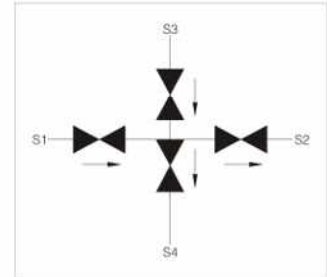
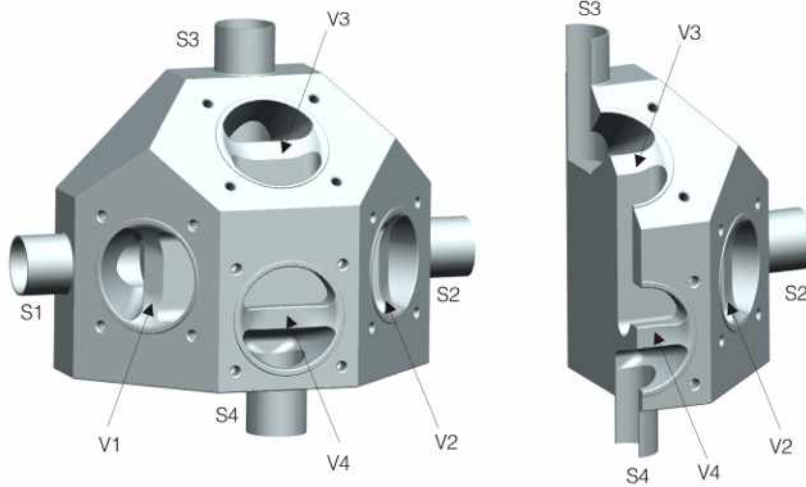
H=水平, V=垂直
H=horizontal, V=vertical

多通道隔膜阀

Multiport diaphragm valve

M-44B

由不锈钢制成的块料，应用，例如无菌阀块，一个块和 - 排放阀。
Sterile valve block is made of stainless steel block, application, for example, as a double block-and-bleed valve.

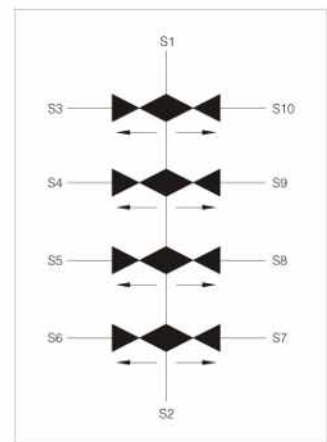
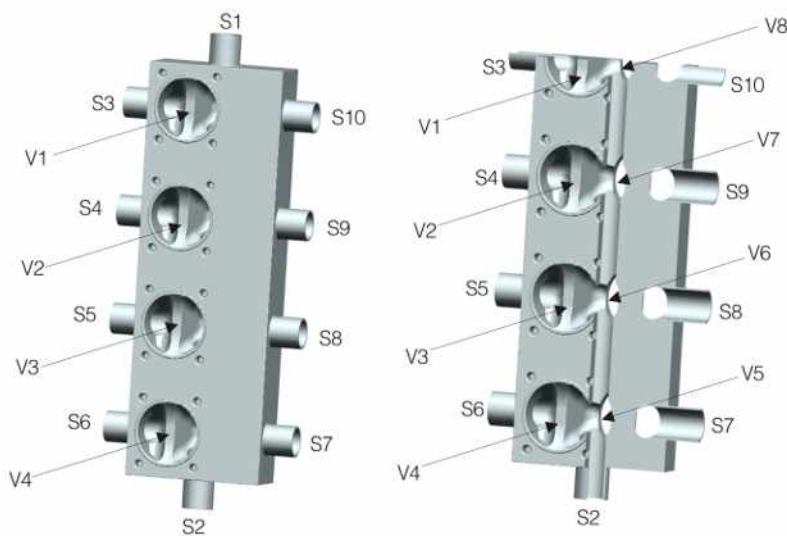


M-108A

无菌阀块由不锈钢制成的块料，应用，例如，作为一个T型阀阵列，用于分路与连接灌装。
Sterile valve block is made of stainless steel block, application, for example, as a T-valve array for branching and filling.

安装位置 Mounting position

接口S1对准垂直向上
Spigot S1 aligned vertically up



H=水平, V=垂直
H=horizontal, V=vertical

径向隔膜阀

Radial diaphragm valve



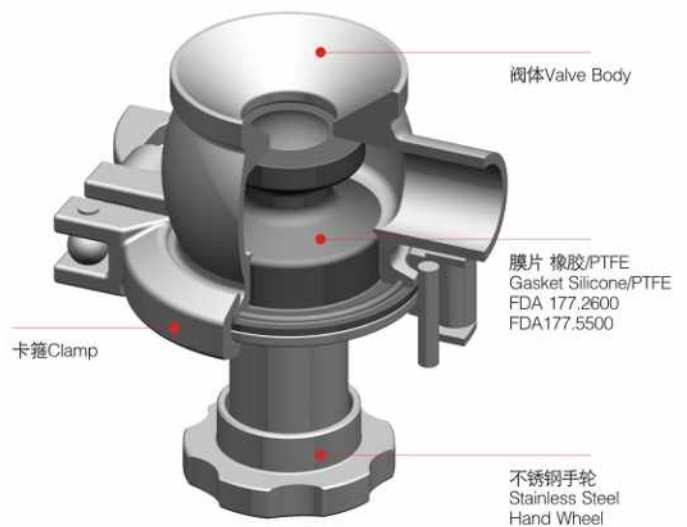
应用 Application

- ◆主要应用于制药、生物科技、卫生保健、化妆品以及食品等行业。
- ◆在制药行业中，该阀门可用作过程控制阀、定量给料阀、取样阀以及无菌排液阀等等。
- ◆在食品行业中，该阀门常被用作引导装置，如取样阀、定量给料阀(例如添加CO₂/Nitrogen到啤酒中，添加调料到饮料中)。
- ◆Mainly used in pharmaceutical, biotech, health care, cosmetic and food industries.
- ◆In the pharmaceutical industry, the valve can be used as process control valve, dosing valve, sampling valve and aseptic drain valve etc.
- ◆In the food industry, this valve is often used as guide device, such as sampling valve, dosing valve (For example adding CO₂/Nitrogen to beer, add seasoning to drink.)

产品描述 Product description

径向隔膜阀主要有手动和气动两种型式，阀体内部抛光处理光洁度Ra≤0.5um，以满足生物制药工业的要求。

Radial diaphragm valve are mainly manual and pneumatic operations, inside body finished Ra≤0.5 um, in order to meet the requirements of biopharmaceutical industry.



径向隔膜阀 Radial diaphragm valve



结构特点 Structure features

- ◆全新的膜片设计
- ◆维护简单、安全，易操作
- ◆自排空功能
- ◆死角最小化
- ◆卓越KV值
- ◆CIP/SIP杀菌和清洗
- ◆New diaphragm design.
- ◆Maintenance is simple, safe, and easy to operate.
- ◆Self-emptying function.
- ◆Dead leg minimization.
- ◆Had excellent KV value
- ◆CIP/SIP sterilization and cleaning

技术规格 Technical specifications

- ◆规格：3/4"-2.5"，DN20-DN65
- ◆工作温度：-10°C到120°C(EPDM/Silicon)
- ◆最高压力：6bar
- ◆执行方式：手动/气动可互换
- ◆执行器气压：5bar-6bar
- ◆出口连接方式：焊接、卡箍、特殊接口
- ◆Specification: 3/4"-2.5", DN20-DN65
- ◆Working temperature: -10°C to 120 °C (EPDM/Silicon)
- ◆Max pressure: 6 bar
- ◆Operation: manual/pneumatic interchangeable
- ◆Actuator pressure: 5 bar - 6 bar
- ◆Connection: welding, clamp, and other special connection

径向隔膜阀 Radial diaphragm valve



手动罐底隔膜阀
Manual Tank Bottom Diaphragm Valve



手动径向隔膜阀
Manual Radial Diaphragm Valve



气动罐底隔膜阀
Pneumatic Tank Bottom Diaphragm Valve



气动径向隔膜阀
Pneumatic Radial Diaphragm Valve

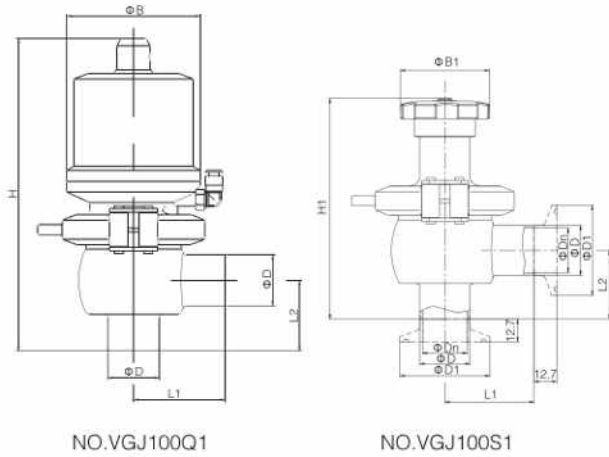
径向隔膜阀 Radial diaphragm valve

非常灵活的阀体组合
Flexible Valve Body Combination



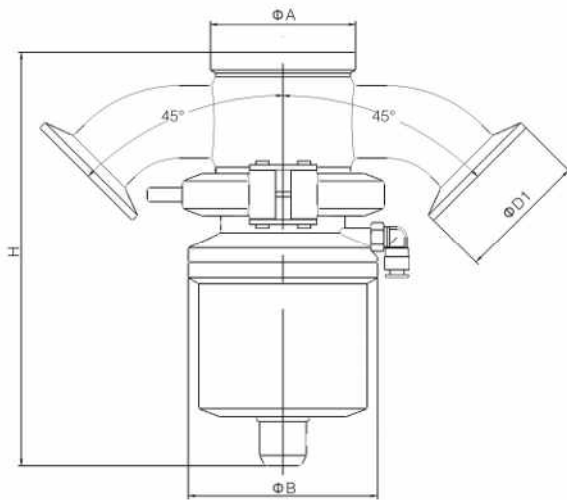
径向隔膜阀

Radial diaphragm valve

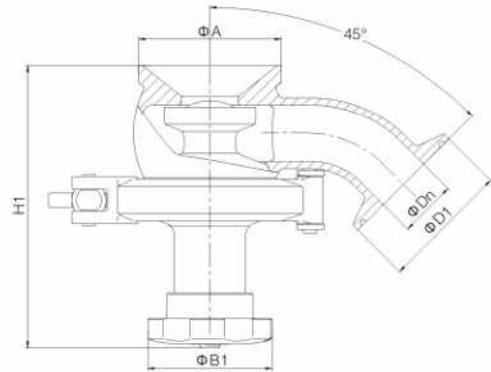


NO.VGJ100Q1

NO.VGJ100S1



NO.VGJ310Q1



NO.VGJ210S1

INCH

SIZE	Dn	D1	A	H	B	H1	B1
3/4"	16	25.4	56	158	73	132	55
1"	22.4	50.5	56	158	73	132	55
1.5"	35	50.5	72	200	100	150	55
2"	47.8	64	84	230	106	170	75
2.5"	59.5	77.5	100	253	130	192	85

INCH

SIZE	Dn	D	D1	L1	L2	H	B	H1	B1
3/4"	16	19	25.4	50	40	171	73	145	55
1"	22.4	25.4	50.5	50	40	171	73	145	55
1.5"	35	38	50.5	55	43.5	205	100	156	55
2"	47.8	50.8	64	65	55	238	106	180	75
2.5"	59.5	63.5	77.5	80	70	268	130	205	85

DIN

SIZE	Dn	D	D1	L1	L2	H	B	H1	B1
DN20	19	22	34	50	40	171	73	145	55
DN25	25	28	50.5	50	40	171	73	145	55
DN32	31	34	50.5	50	40	205	100	156	55
DN40	37	40	50.5	55	40	205	100	156	55
DN50	49	52	64	65	55	238	106	180	75
DN65	66	70	91	80	70	268	130	205	85

DIN

SIZE	Dn	D1	A	H	B	H1	B1
DN20	19	34	56	158	73	132	55
DN25	25	50.5	56	158	73	132	55
DN32	31	50.5	56	200	100	150	55
DN40	37	50.5	72	200	100	150	55
DN50	49	64	84	230	106	170	75
DN60	66	91	100	253	130	192	85



CHINA DONJOY TECHNOLOGY CO.,LTD.

DONJOY looking forward to your visit! Your telecommunications!



中国·东正 科技有限公司

温州滨海工业区:
温州龙湾区永强大道宏瑞路150号
温州空港新区:
温州通海大道港富路25号
总机: 0577-86990888
传真: 0577-86998000

Wenzhou Binghai industrial Park:
No.150 hongrui Road, Yongqiang Avenue,
longwan District, wenzhou.
Wenzhou airport Area:
No.25 Gangfu Road,Tonghai Avenue,
wenzhou
Tel: +86-577-86990888
Fax: +86-577-86998000
E-mail: donjoy@cndonjoy.com

www.cndonjoy.com

法律声明:

目录样册版本属东正所有, 如有抄袭东正将追究其法律责任和经济赔偿。
东正众多技术设计, 都具有专利保护, 如有抄袭, 东正必将追究法律责任和经济赔偿。